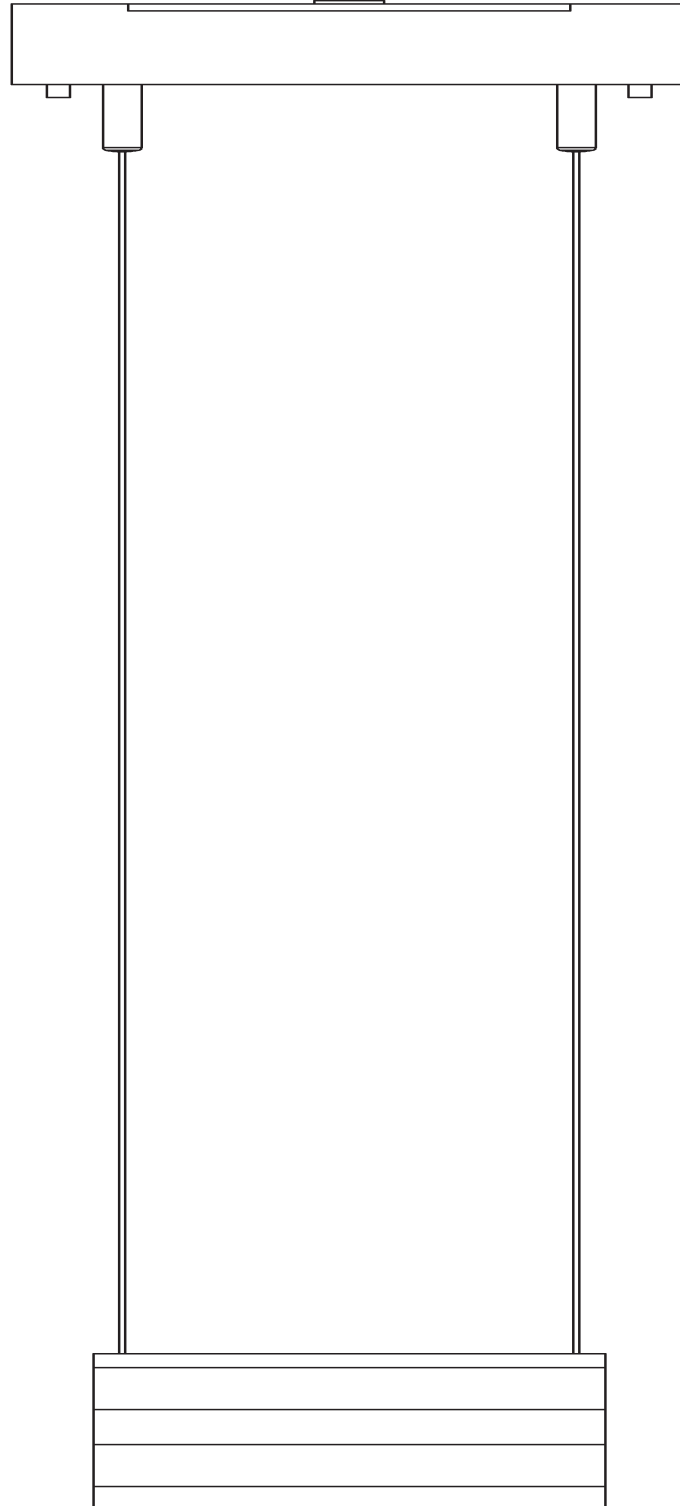


ASSEMBLY & INSTALLATION INSTRUCTIONS



## ASSEMBLY &amp; INSTALLATION INSTRUCTIONS

## COMPONENT PARTS

A	Knobs (2)
B	Canopy
C	Cover Plate
D	Driver
E	Electric Box Cover
F	#8 Screws (5)
G	Gripper Plates (2)
H	Anchors (2)
I	#10 Screws (2)
J	Grippers (2)
K	Accent Piece
L	Supply/Support Cables (2)
M	Gripper Covers (2)

## ASSEMBLY &amp; INSTALLATION INSTRUCTIONS

**CAUTION: FAILURE TO INSTALL THIS FIXTURE PROPERLY MAY RESULT IN SERIOUS PERSONAL INJURY OR DEATH AND PROPERTY DAMAGE.** We recommend installation by a licensed electrician. This product must be installed in accordance with applicable installation code(s), by a person familiar with the construction and operation of the product and the hazards involved.\*

Caution: Do not exceed maximum wattage noted on fixture. Use only recommended bulbs with fixture.

**TO INSTALL CANOPY TO SINGLE BOX (FIGURE 1)**

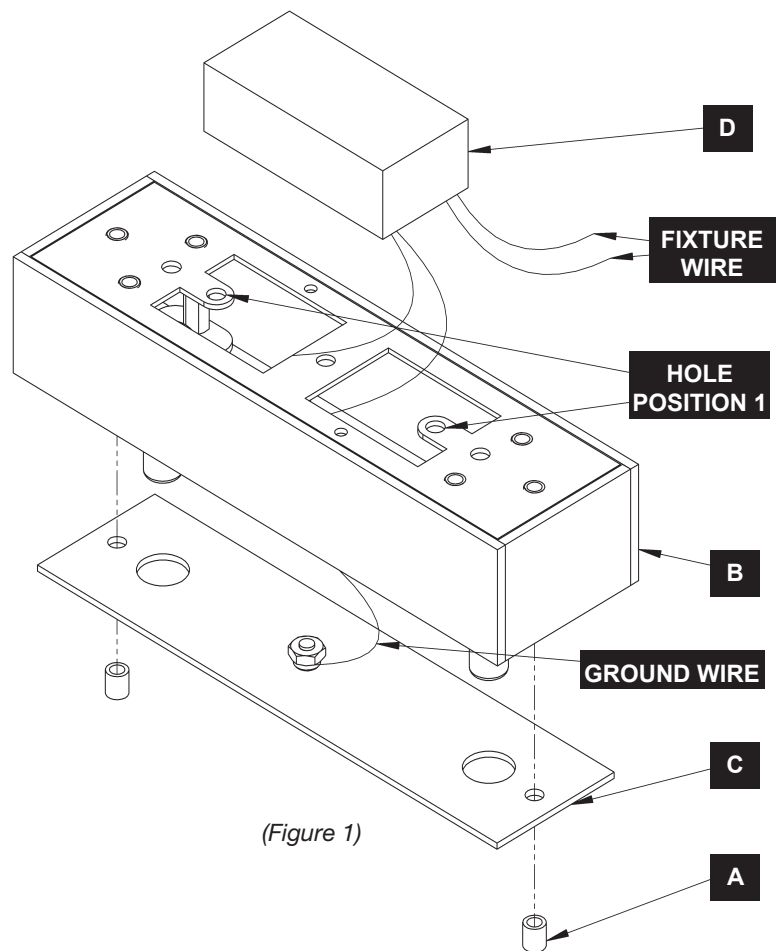
1. Carefully unpack the fixture from the carton.
2. Unscrew the knobs (A) from the canopy (B). Remove canopy cover plate (C). Set knobs and canopy cover plate aside.
3. Hold canopy (A) close to the ceiling. Using suitable wire connectors (not provided), connect fixture wires from driver (D) to supply wires (white to white and black to black). Connect all ground wires (bare copper or green to bare copper or green).

**CAUTION: MAKE SURE WIRE CONNECTORS ARE TWISTED ON SECURELY, AND NO BARE WIRES ARE EXPOSED.**

4. Once connections have been made place all wires and driver (D) into the electric box and push canopy (B) firmly against the ceiling, making sure that no wires are pinched between fixture and ceiling.
5. Attach canopy (B) to electric box using two machine screws (not provided) through hole position 1. (Figure 1)

**NOTE:** A new electric box comes with screws. When replacing a fixture, retain the existing screws for use with the new fixture.

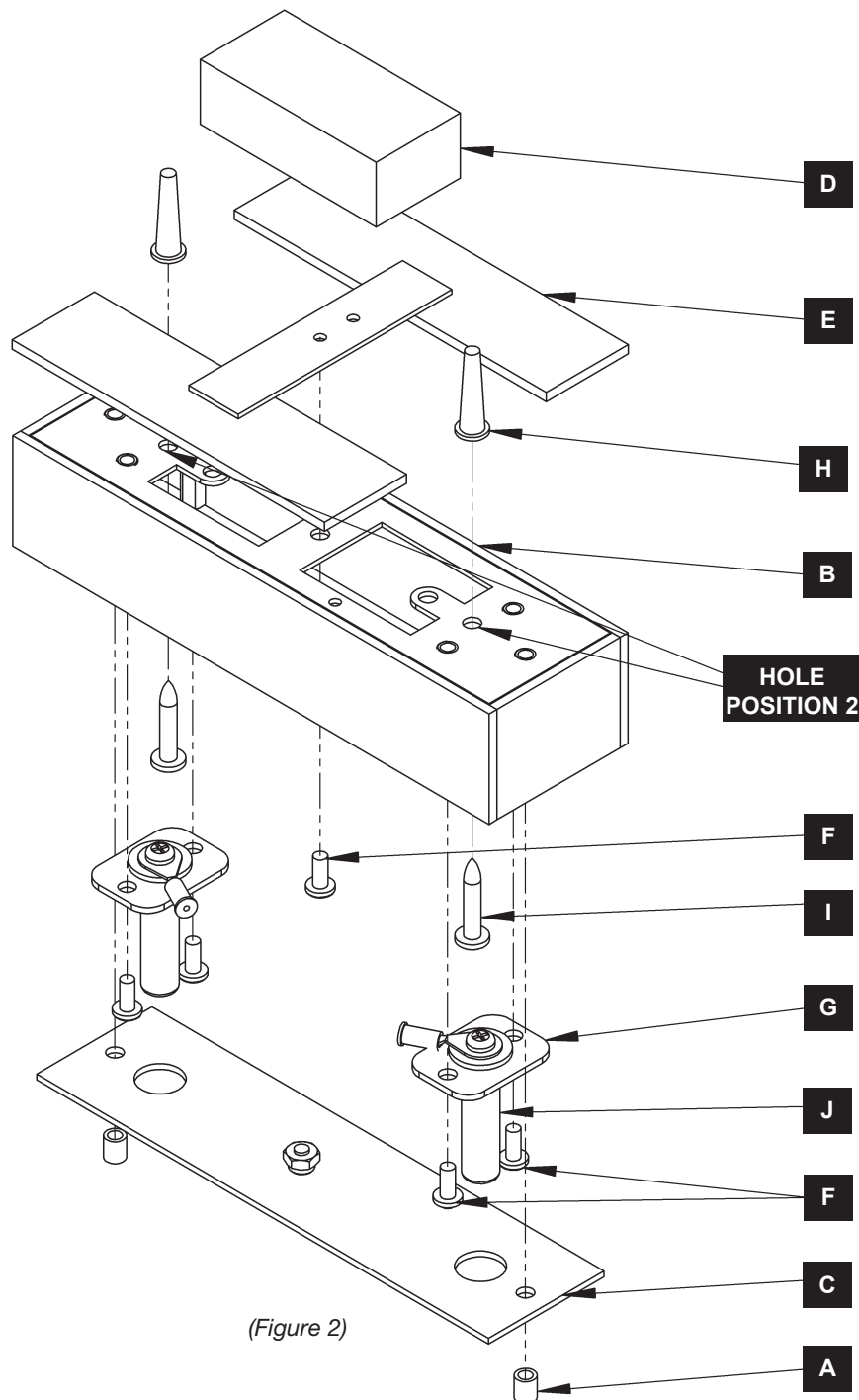
6. Reinstall canopy cover plate (C), making sure the +/- labels align with the +/- labels in the canopy (B). Secure with knobs (A).
7. See instructions on page 5 to finish installation.



## ASSEMBLY &amp; INSTALLATION INSTRUCTIONS

## TO INSTALL CANOPY TO 4 INCH BOX (FIGURE 2)

- Carefully unpack the fixture from the carton.
  - Unscrew the knobs (A) from the canopy (B). Remove canopy cover plate (C). Set knobs and canopy cover plate aside.
  - Attach electric box cover (E) to canopy (B) using a #8 screw (F).
  - To access hole position 2 remove both gripper plates (G) by unscrewing the (4) #8 screws (F). Allow the gripper plates (G) to hang down while the canopy (B) is attached.
  - Center the canopy over the electric box while keeping the driver (D) inside the electric box. With a pencil, mark the location of desired mounting positions on the ceiling. Set canopy (B) aside.
  - Drill 1/4" holes in the locations marked on the ceiling. For holes using anchors (H), place the tapered end of anchor (H) into the hole and gently tap them flush to the ceiling using a light weight hammer.
  - Hold canopy (A) close to the ceiling. Using suitable wire connectors (not provided), connect the fixture wires from driver (D) to supply wires (white to white and black to black). Connect all ground wires (bare copper or green to bare copper or green).
- CAUTION: MAKE SURE WIRE CONNECTORS ARE TWISTED ON SECURELY, AND NO BARE WIRES ARE EXPOSED.**
- Make sure all wires and driver (D) are inside the electric box and push canopy (B) firmly against the ceiling, making sure that no wires are pinched between fixture and wall.
  - Attach canopy (B) to ceiling using #10 screws (I), be careful not to overtighten or strip anchors (H).
  - When canopy (B) is securely attached to the ceiling reattach gripper plates (G) using 4 #8 screws (F) making sure to keep grippers (J) pointing down.
  - Reinstall canopy cover plate (C), make sure the +/- labels align with the +/- labels in the canopy (B). Secure with knobs (A).
  - See instructions on next page to finish installation.



## ASSEMBLY &amp; INSTALLATION INSTRUCTIONS

**TO FINISH INSTALLTION (FIGURE 3)**

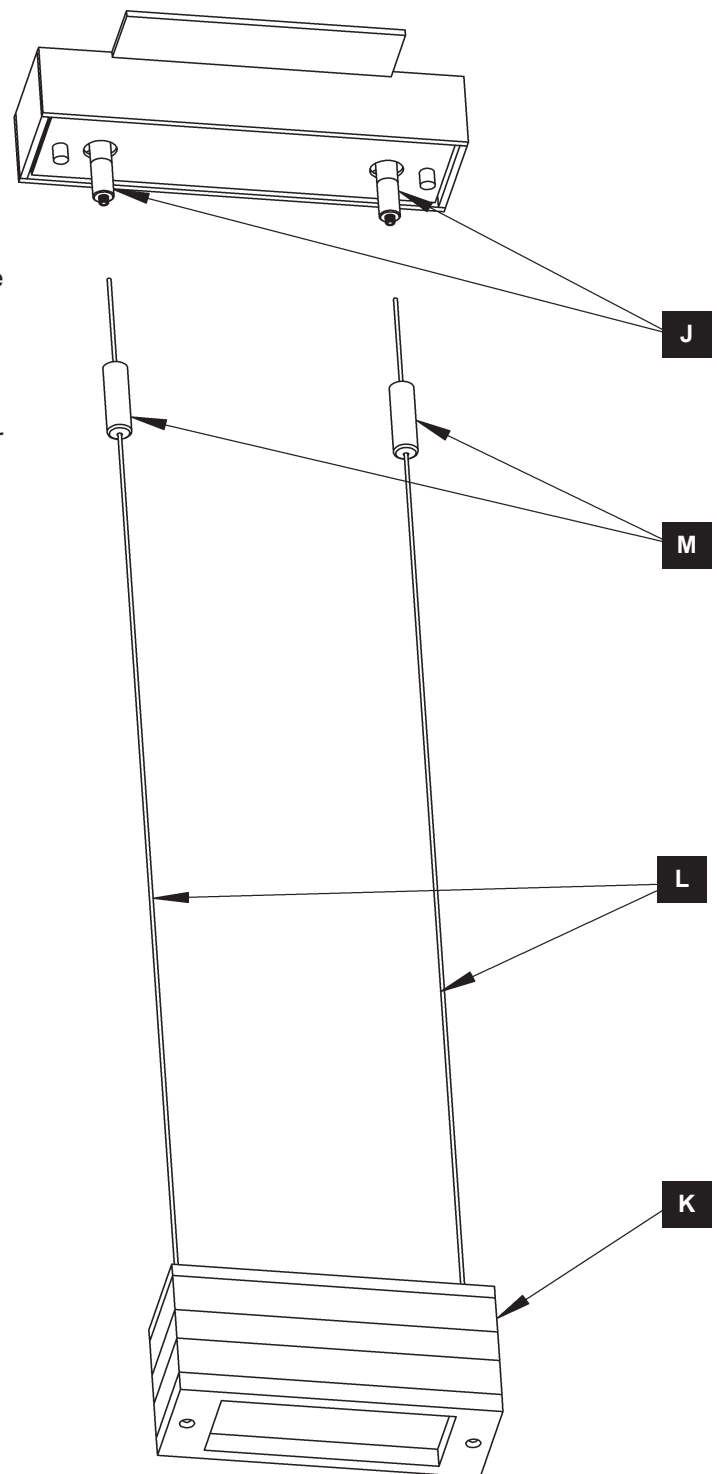
1. Locate accent piece (K) and uncoil the supply/support cables (L) in order to find the (+) and (-) cable.
2. Unscrew the gripper covers (M) from both grippers (J) and find the (+) and (-) gripper.
3. Slide one gripper cover (M) onto each of the supply/support cables (L) with the small opening first.
4. Align the (+) cable (L) with the (+) gripper (J) and the (-) cable with the (-) gripper. Slide supply/support cables (L) through the grippers (J) until the desired height of accent piece (K) is reached.

**NOTE:** To lower accent piece (K) depress the gripper plunger and pull supply/support cable (L) out until desired height is reached.

5. Trim the supply/support cables (L) close to the grippers (J). Raise the gripper covers (M) and thread them on the gippers (J).

**NOTE:** Once supply/support cables (L) are cut the accent piece (K) can no longer be lowered. Make sure desired height is reached before cutting cables.

6. Restore elecricity at main breaker.



(Figure 2)

If you need further assistance, or find that you are missing any parts, please contact the dealer from which you purchased this product. We hope you enjoy your fixture!

**\*ART+ALCHEMY will not be liable for injury or damage caused by improper installation, lamping or use of this fixture.**