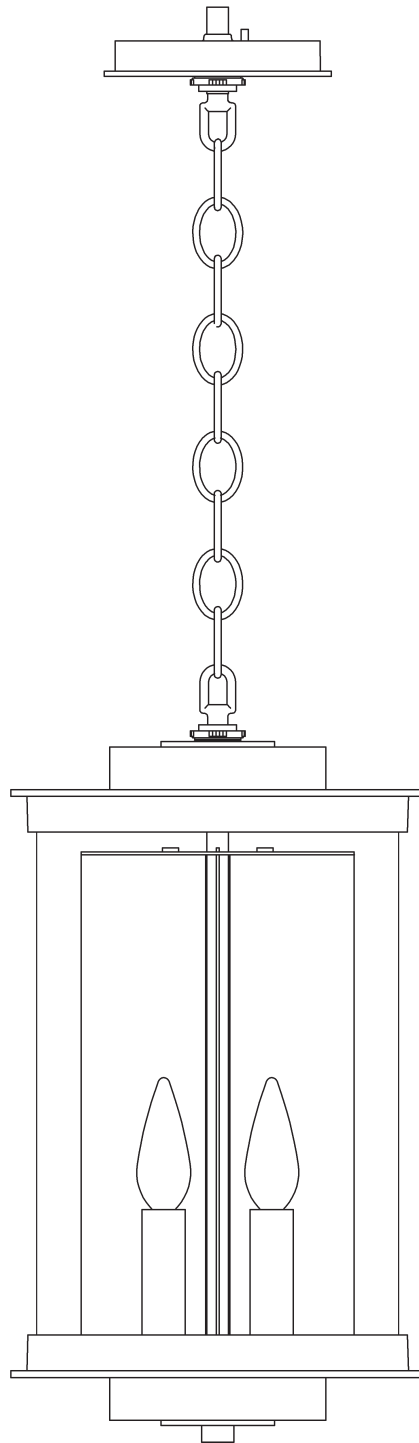


# ASSEMBLY & INSTALLATION INSTRUCTIONS

A675

Kingston Lantern 356840

---



**Component Parts**

- A Crossbar**
- B Lock Nut**
- C Nipple**
- D Ground Screw**
- E Canopy**
- F Canopy/Fixture Ring (2)**
- G Canopy/Fixture Loop (2)**
- H Chain**
- I Fixture**
- J Plate**
- K Small O-ring**
- L Glass**
- M Cover**
- N Large O-ring**



Kingston Lantern 356840

**CAUTION: FAILURE TO INSTALL THIS FIXTURE PROPERLY MAY RESULT IN SERIOUS PERSONAL INJURY OR DEATH AND PROPERTY DAMAGE.** We recommend installation by a licensed electrician. This product must be installed in accordance with applicable installation code(s), by a person familiar with the construction and operation of the product and the hazards involved.\*

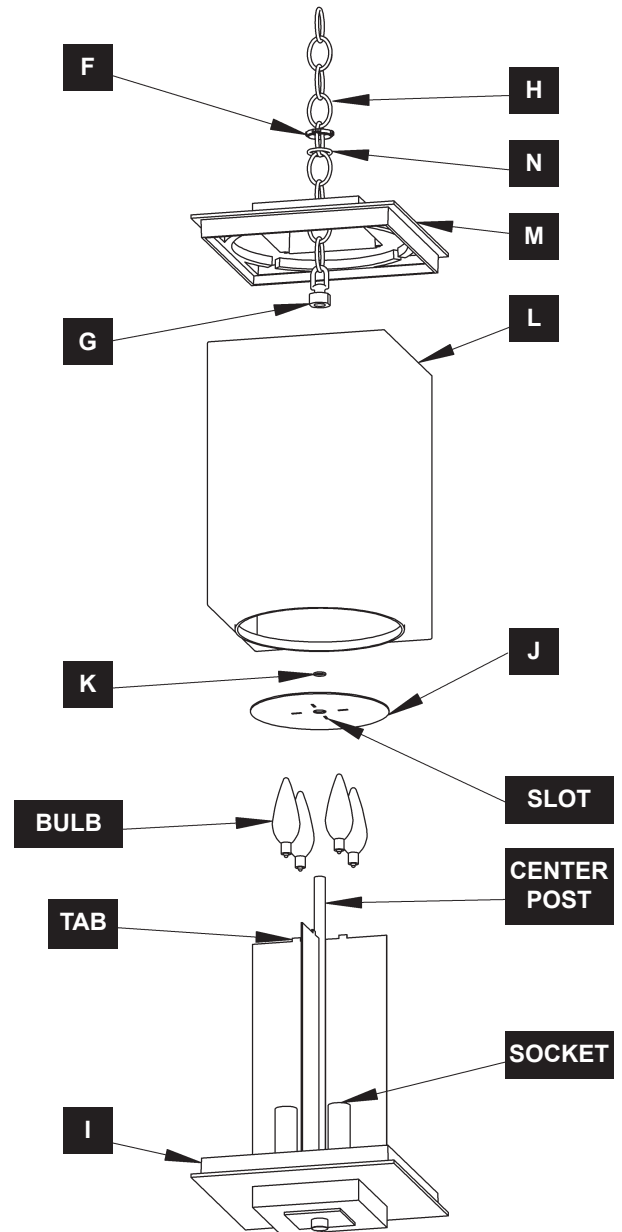
**Caution:** Do not exceed maximum wattage noted on fixture. Use only recommended bulbs with fixture.

*Please Note: After installation extra hardware and accessories are possible; our kits are used on multiple products.*

## To Assemble Fixture (Figure 1)

**CAUTION: BE SURE POWER IS OFF AT THE MAIN BREAKER BOX PRIOR TO INSTALLATION.**

1. Carefully unpack fixture from the carton.
2. Locate fixture (I) and plate (J)
3. Slide plate (J) over center post making sure that the tabs on the decorative elements engage in the slots of plate (L).
4. Slide small O-ring (K) down center post and press against the top of the plate (J). O-rings can be found in the kit bag.
5. Install bulbs (not included) into sockets.
6. Place glass (L) onto fixture (I). Place cover (M) over the top of the glass (L).
7. Remove fixture ring (F) from fixture loop (G)
8. Thread fixture loop (G) onto center post. Slide large o-ring (N) over fixture loop (G)
9. Thread fixture ring (F) onto fixture loop (G) and tighten against o-ring (N) and glass (M).
10. Attach one end of the chain (H) to the fixture loop (G). Lace the wires through every other link of the chain to the end.
11. Follow steps on next page for installing fixture.



(Figure 1)

Kingston Lantern 356840

### To Install Fixture (Figure 2)

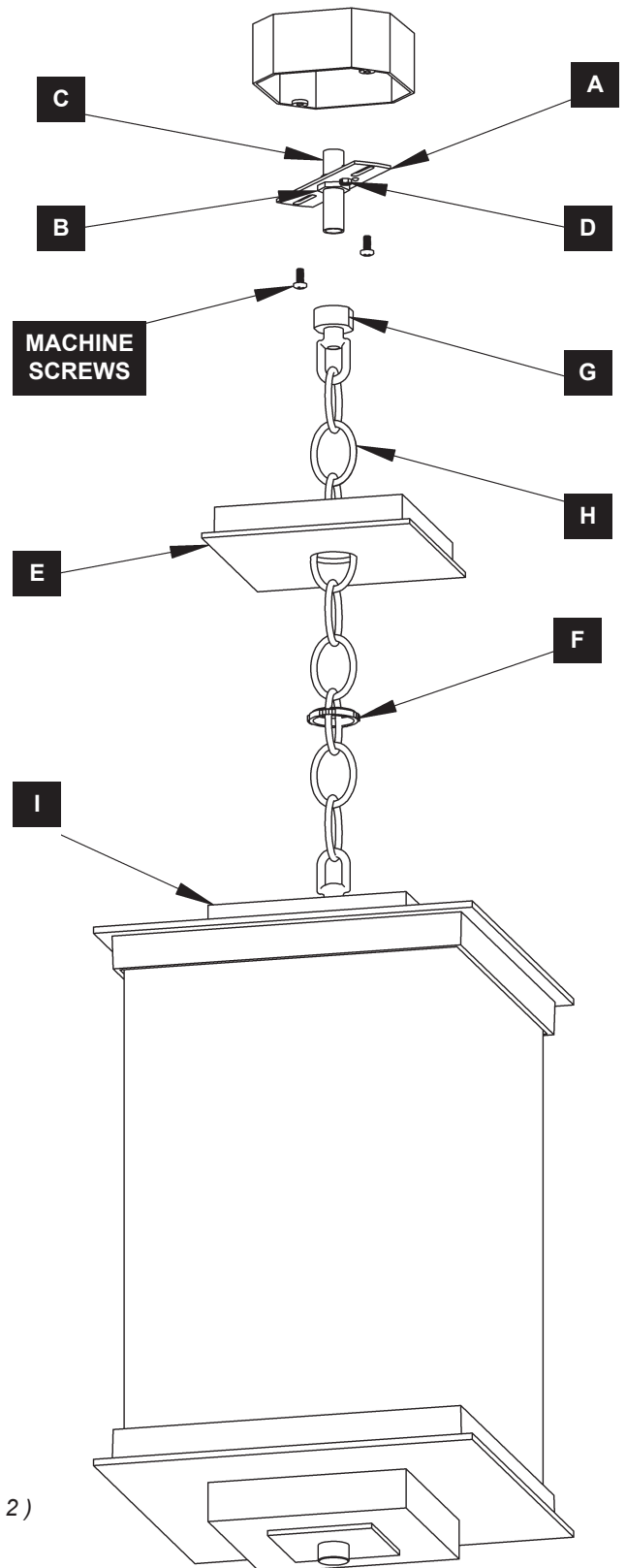
1. Using two machine screws (not provided), fasten the crossbar (A) to the electric box with the head of the ground screw (D) facing down.

**Note:** A new electric box comes with screws. When replacing a fixture, retain the existing screws for use with the new fixture.

2. Adjust the length of nipple (C) in crossbar (A) so that canopy ring (F), which comes threaded onto the canopy loop (G), will hold canopy (E) against the ceiling with no threads showing for best appearance. When the correct adjustment is established, tighten lock nut (B) against crossbar (A).
3. Remove crossbar (A) assembly from electrical box and set aside.
4. Slip wires and chain (H) through canopy ring (F) and canopy (E). Allow canopy ring and canopy to slide down chain and rest on fixture (I).
5. Slip wires through the canopy loop (G) and nipple (C). Make sure to provide enough slack in the wire to ensure weight of fixture is supported by the chain (H). Attach other end of chain (H) to canopy loop (G).
6. Using two machine screws (not provided), reattach the crossbar (A) to the electric box.
7. Using suitable wire connectors (not provided) connect fixture wires to supply wires (white to ribbed side of the fixture cord, black to smooth side). Run a pigtail lead from crossbar ground screw (D) to the junction box and connect all ground wires (bare copper or green to bare copper or green).

**CAUTION:** MAKE SURE WIRE CONNECTORS ARE TWISTED ON SECURELY AND NO BARE WIRE IS EXPOSED.

8. Raise canopy (E) to the ceiling and secure canopy ring (F) to canopy loop (G).
9. Restore electricity at main breaker.
10. Follow steps on next page for replacing bulbs.



(Figure 2)

# ASSEMBLY & INSTALLATION INSTRUCTIONS

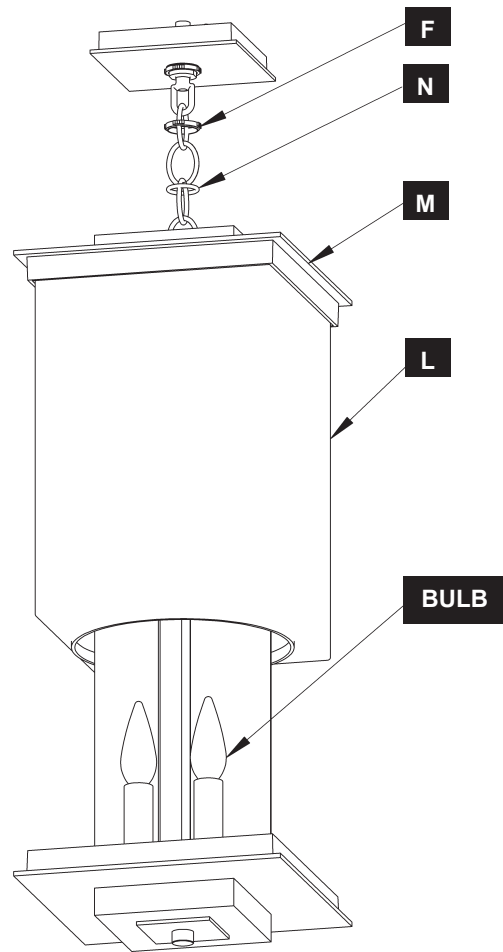
A675

Kingston Lantern 356840

## To Replace Bulbs (Figure 3)

**CAUTION: BE SURE POWER IS OFF AT THE MAIN BREAKER BOX PRIOR TO REPLACING BULBS.**

1. Unthread fixture ring (F) from fixture loop (G).
2. Raise fixture ring (F), large O-ring (N), cover (M) and glass (L) to access bulbs.
3. Replace bulbs.
4. Lower glass (L), cover (M), large O-ring (N) and fixture ring (F).
5. Thread fixture ring (F) onto fixture loop (G).
6. Restore electricity at main breaker.



(Figure 3)

If you need further assistance, or find that you are missing any parts, please contact the dealer from which you purchased this product. We hope you enjoy your fixture!

**\* Hubbardton Forge will not be liable for injury or damage caused by improper installation, lamping or use of this fixture.**