

# ASSEMBLY & INSTALLATION INSTRUCTIONS

Fairwinds Semi-Flush 352551

A778



**Component Parts**

- A     Fixture**
- B     Ground Screw**
- C     Mounting Bracket**
- D     Cupped Washer**
- E     #8 Screws (2)**
- F     Socket**
- G     Glass**
- H     Glass Retainer**
- I     Cage**
- J     Bulb (not included)**



Fairwinds Semi-Flush 352551

**CAUTION: FAILURE TO INSTALL THIS FIXTURE PROPERLY MAY RESULT IN SERIOUS PERSONAL INJURY OR DEATH AND PROPERTY DAMAGE.** We recommend installation by a licensed electrician. This product must be installed in accordance with applicable installation code(s), by a person familiar with the construction and operation of the product and the hazards involved.\*

**Caution:** Do not exceed maximum wattage noted on fixture. Use only recommended bulbs with fixture.

Please Note: After installation extra hardware and accessories are possible; our kits are used on multiple products.

## To Install Fixture (Figure 1)

**CAUTION: BE SURE POWER IS OFF AT THE MAIN BREAKER BOX PRIOR TO INSTALLATION.**

1. Carefully unpack the fixture (A) from the carton.
2. Remove #8 screws (E) from mounting bracket (C) and separate bracket from fixture (A).
3. Unthread glass retainer (H) and separate cage (I) from fixture (A). Refer to Figure 2 for part callout.
4. Using two machine screws (not provided) fasten mounting bracket (C) to the electric box using outer oval holes to orient fixture to desired hanging position.

**Note:** A new electric box comes with screws. When replacing a fixture, retain the existing screws for use with the new fixture.

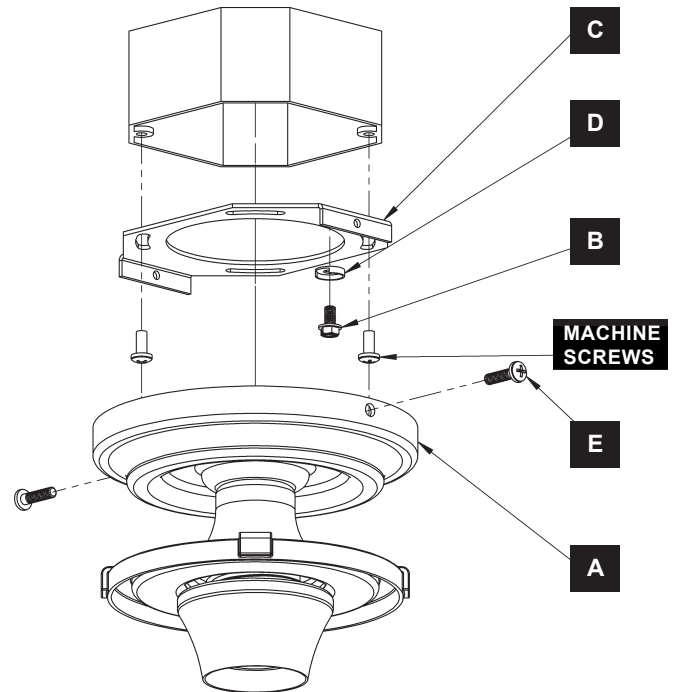
5. Attach a pigtail lead to the mounting bracket (C) using the ground screw (B) and cupped washer (D) which can be found in the kit bag.
6. Hold fixture (A) close to the ceiling. Using suitable wire connectors (not provided), connect fixture wires to supply wires (white to white and black to black). Connect all ground wires (bare copper or green to bare copper or green).

**CAUTION: MAKE SURE WIRE CONNECTORS ARE TWISTED ON SECURELY AND NO BARE WIRE IS EXPOSED.**

7. Slide fixture (A) over mounting bracket and push firmly to ceiling. Fasten with # 8 screws (E).

**CAUTION: BE SURE NO WIRES ARE PINCHED BETWEEN THE FIXTURE (A) AND THE CEILING.**

8. Follow steps on remaining pages to complete installation.



(Figure 1)

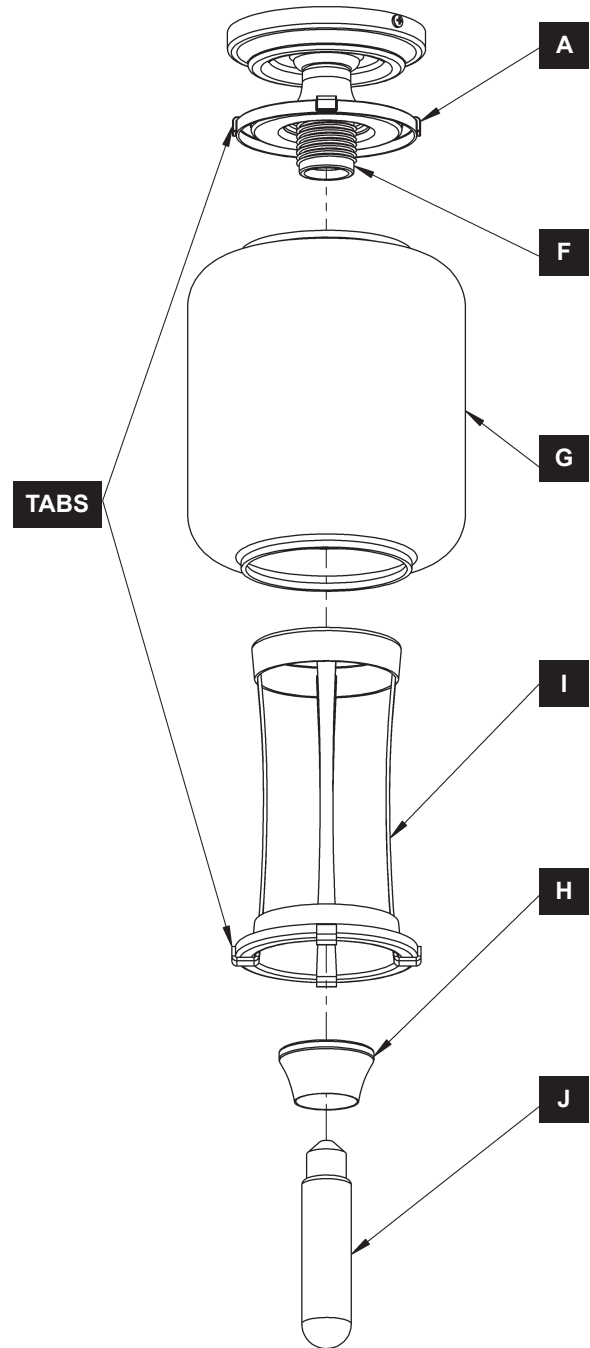
Fairwinds Semi-Flush 352551

## To Install Glass (Figure 2)

1. Glass retainer (H) is shipped installed on socket (F). Remove and set aside for use in following steps.
2. Carefully unpack glass (G) from carton.
3. Place glass (G) over cage (I); Slide cage (I) and glass (G) over socket (F) and secure with glass retainer (H).

**Note:** Do not overtighten as this could break glass.

4. For best appearance, ensure tabs on cage (I) are aligned with fixture (A) (refer to figure 2 for correct orientation).
5. Install bulb (not included) (J) into socket (F).
6. Restore electricity at main breaker.



(Figure 2)

If you need further assistance, or find that you are missing any parts, please contact the dealer from which you purchased this product. We hope you enjoy your fixture!

**\* Hubbardton Forge will not be liable for injury or damage caused by improper installation, lamping or use of this fixture.**