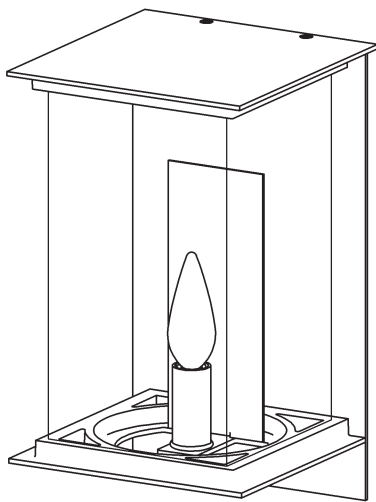


# ASSEMBLY & INSTALLATION INSTRUCTIONS

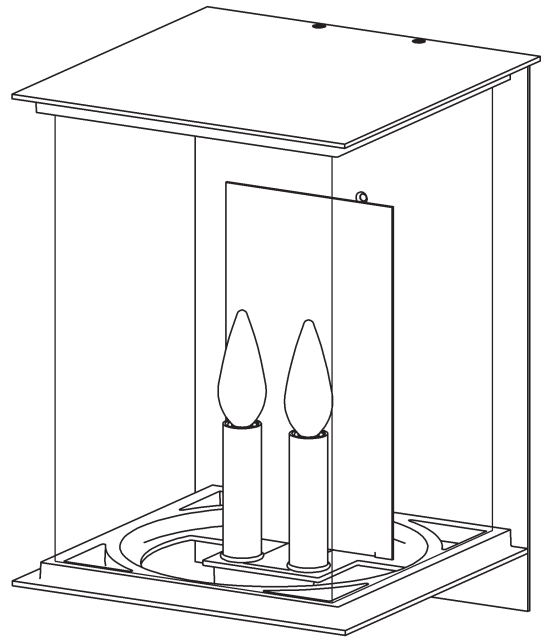
Kingston Outdoor Sconce Medium 304840 & Large 304842

**B456**



**304840**

**Shown in Illustrations**



**304842**

## Component Parts

- A. Fixture**
- B. Flat head screw - 1/2" long**
- C. Slotted aluminum screw**
- D. Accent plate**
- E. Crossbar**
- F. Ground Screw**
- G. Caulking Lip**
- H. Flat head screw - 1 1/4" long**
- I. Bulb (not included)**
- J. Socket**
- K. Glass**
- L. Top Plate**
- M. Rubber Washer**



# ASSEMBLY & INSTALLATION INSTRUCTIONS

B456

Kingston Outdoor Sconce Medium 304840 & Large 304842

**CAUTION: FAILURE TO INSTALL THIS FIXTURE PROPERLY MAY RESULT IN SERIOUS PERSONAL INJURY OR DEATH AND PROPERTY DAMAGE.** We recommend installation by a licensed electrician. This product must be installed in accordance with applicable installation code(s), by a person familiar with the construction and operation of the product and the hazards involved.\*

**Caution:** Do not exceed maximum wattage noted on fixture. Use only recommended bulbs with fixture.

Please Note: After installation extra hardware and accessories are possible; our kits are used on multiple products.

## To Install Fixture (Figures 1, 2 & 3)

**CAUTION: BE SURE POWER IS OFF AT THE MAIN BREAKER BOX PRIOR TO INSTALLATION.**

1. Carefully unpack the fixture (A) from the carton.
2. Remove screws (B) from the top of the fixture (A). Set screws aside.
3. Remove screw (C) holding accent plate (D). Set screw (C) and plate (D) aside.
4. Using two machine screws (not provided) attach crossbar (E) to the electrical box (Figure 1). Orient crossbar such that the threaded holes to attach the fixture are vertical.

**Note:** A new electric box comes with screws. When replacing a fixture, retain the existing screws for use with the new fixture.

5. Using ground screw (F), secure a pigtail lead to the crossbar (E).
6. Hold the fixture (A) close to the crossbar (E), using suitable wire connectors (not provided), connect fixture wires to supply wire (white to white and black to black). Connect all ground wires (bare copper or green to bare copper or green).

**CAUTION: MAKE SURE WIRE CONNECTORS ARE TWISTED ON SECURELY, AND NO BARE WIRE IS EXPOSED.**

7. Apply a generous bead of a suitable caulking material (not provided) to caulking lip (G) on the fixture (A) (Figure 2).
8. Secure fixture (A) in place using 2 flat head screws (H) found in kit bag. Be sure no wires are pinched between fixture and wall.
9. Re-install accent plate (D) and secure with screw (C). (Figure 3)
10. Install bulb (I) (not included) into socket (J).
11. Set glass (K) onto fixture.
12. Place top plate (L) on glass (K) and fixture (A).
13. Secure top plate (L) using 2 rubber washers (M), found in kit bag and screws (B)

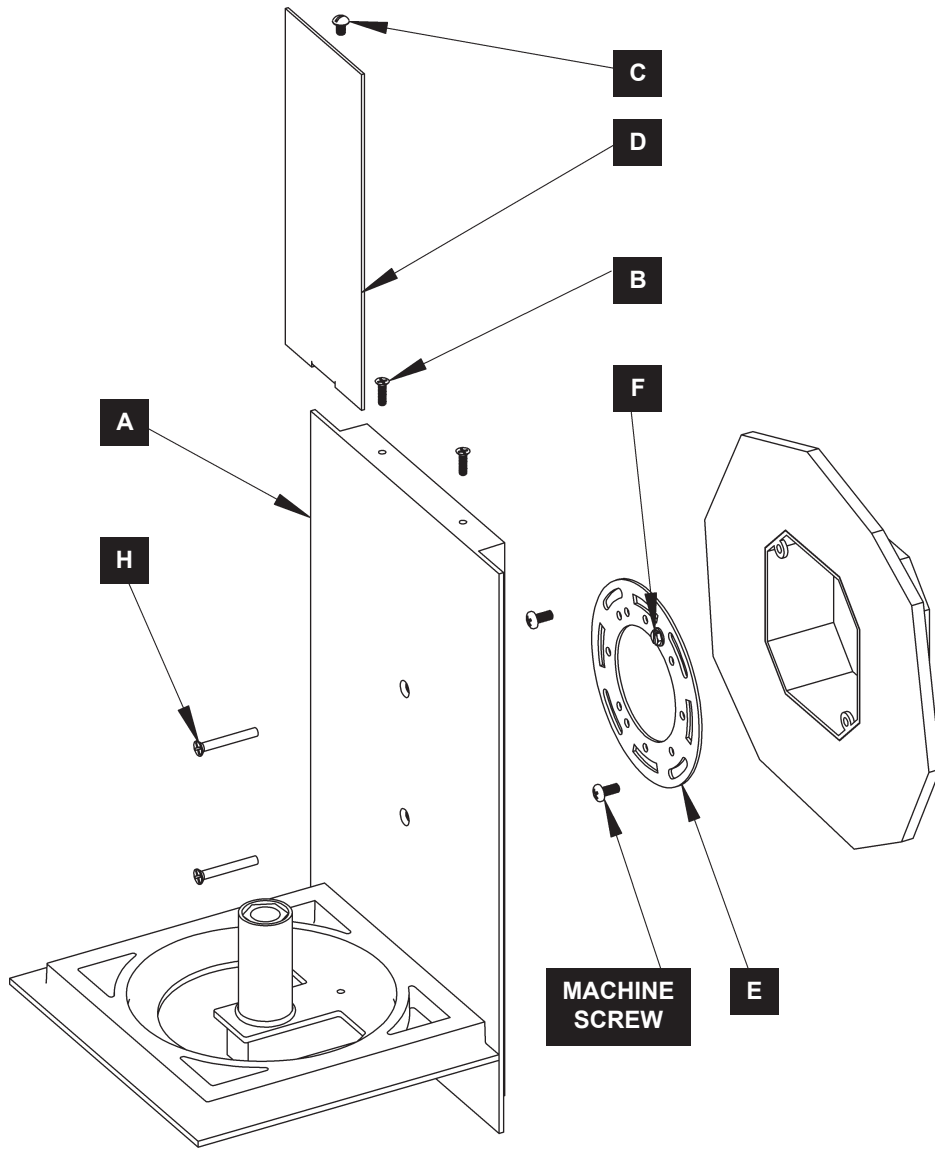
**CAUTION: SCREWS ARE ALUMINUM. ALUMINUM IS A SOFT METAL AND THE SCREWS CAN BE EASILY DAMAGED. TAKE CARE NOT TO DAMAGE THE THREADS OR HEAD OF SCREWS WHILE INSTALLING.**

14. Restore electricity at main breaker.

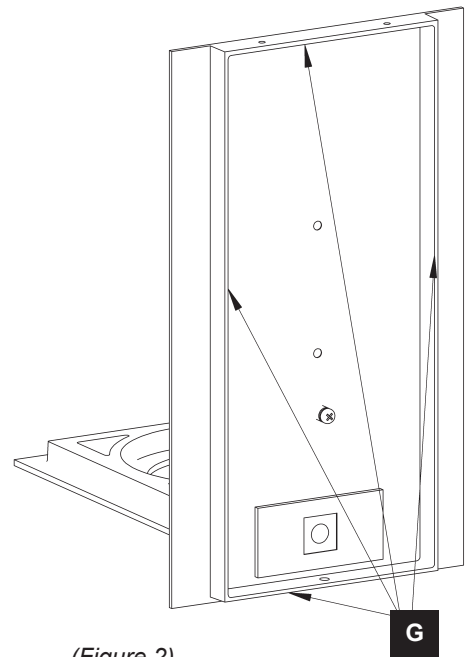
# ASSEMBLY & INSTALLATION INSTRUCTIONS

**B456**

Kingston Outdoor Sconce Medium 304840 & Large 304842



(Figure 1)



(Figure 2)

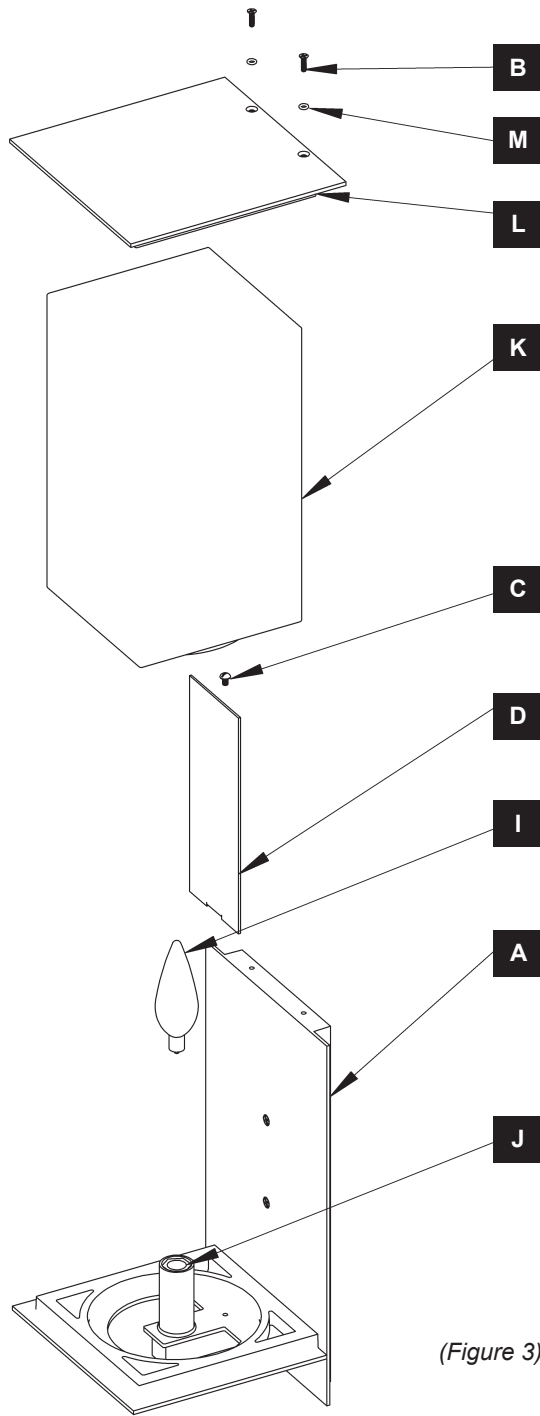


HUBBARDTON FORGE.

# ASSEMBLY & INSTALLATION INSTRUCTIONS

**B456**

Kingston Outdoor Sconce Medium 304840 & Large 304842



(Figure 3)

If you need further assistance, or find that you are missing any parts, please contact the dealer from which you purchased this product. We hope you enjoy your fixture!

***\* Hubbardton Forge will not be liable for injury or damage caused by improper installation, lamping or use of this fixture.***