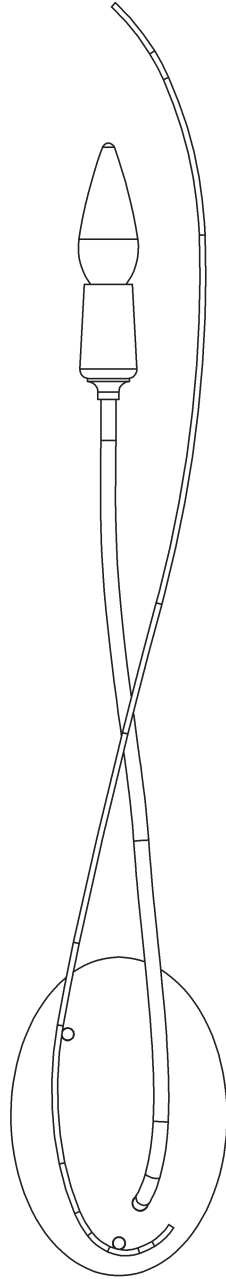


ASSEMBLY & INSTALLATION INSTRUCTIONS

B459

Willow Sconce 209120



Component Parts

- A Fixture**
- B Crossbar**
- C #8 Screws (2)**

ASSEMBLY & INSTALLATION INSTRUCTIONS

B459

Willow Sconce 209120

CAUTION: FAILURE TO INSTALL THIS FIXTURE PROPERLY MAY RESULT IN SERIOUS PERSONAL INJURY OR DEATH AND PROPERTY DAMAGE. We recommend installation by a licensed electrician. This product must be installed in accordance with applicable installation code(s), by a person familiar with the construction and operation of the product and the hazards involved.*

Caution: Do not exceed maximum wattage noted on fixture. Use only recommended bulbs with fixture.

Please Note: After installation extra hardware and accessories are possible; our kits are used on multiple products.

To Install Fixture (Figure 1)

CAUTION: BE SURE POWER IS OFF AT THE MAIN BREAKER BOX PRIOR TO INSTALLATION.

1. Carefully unpack fixture (A) from the carton.
2. Using (2) #8 machine screws (not provided), attach crossbar (B) securely to the junction box as shown in Figure 1.

Note: A new electric box comes with screws. When replacing an existing fixture, retain screws for use with the new fixture

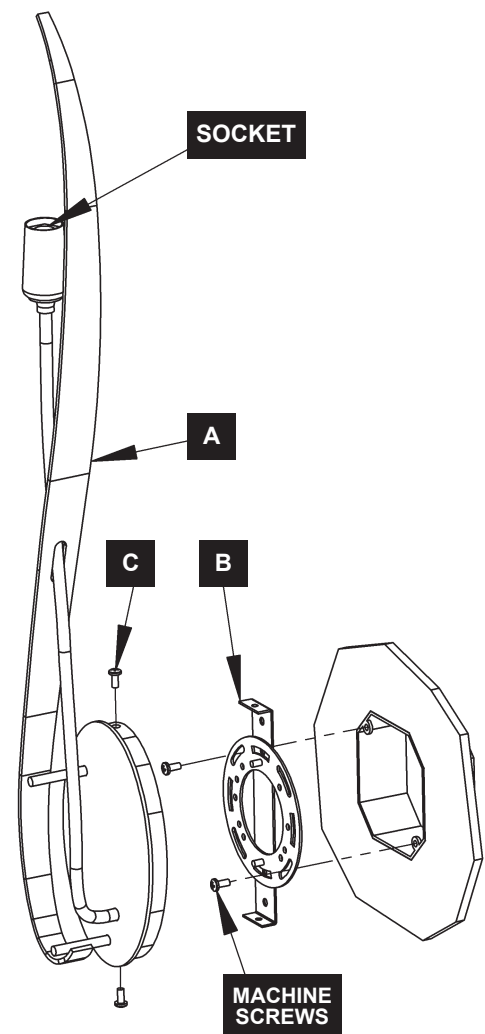
3. Hold fixture (A) close to wall. Using suitable wire connectors (not provided), connect fixture wires to supply wires (white to white and black to black). Connect all ground wires (bare copper or green to bare copper or green).

CAUTION: MAKE SURE WIRE CONNECTORS ARE TWISTED ON SECURELY, AND NO BARE WIRE IS EXPOSED.

4. Place fixture (A) over crossbar (B). Secure with #8 screw (C) on top and bottom of fixture.

Note: Be sure no wires are pinched between fixture and wall.

5. Install bulb (not included) into socket.
6. Restore electricity at main breaker.



(Figure 1)

If you need further assistance, or find that you are missing any parts, please contact the dealer from which you purchased this product. We hope you enjoy your fixture!

* **Hubbardton Forge will not be liable for injury or damage caused by improper installation, lamping or use of this fixture.**