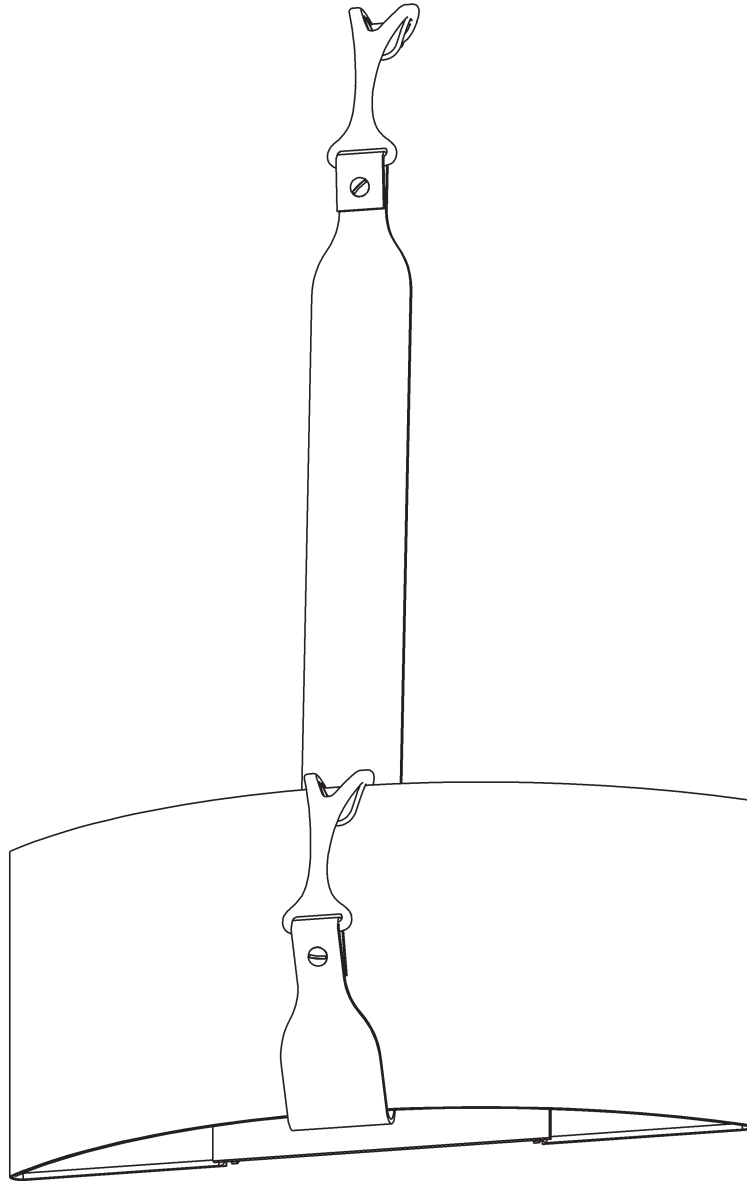


ASSEMBLY & INSTALLATION INSTRUCTIONS

B493

Saratoga Sconce 204070



Component Parts

A	Fixture
B	Crossbar
C	Ground Screw
D	Threaded Stud (2)
E	Knurled Ball (2)
F	Shade
G	Socket
H	Leather Strap
I	Hook (2)
J	Anchor
K	Screw



ASSEMBLY & INSTALLATION INSTRUCTIONS

B493

Saratoga Sconce 204070

CAUTION: FAILURE TO INSTALL THIS FIXTURE PROPERLY MAY RESULT IN SERIOUS PERSONAL INJURY OR DEATH AND PROPERTY DAMAGE. We recommend installation by a licensed electrician. This product must be installed in accordance with applicable installation code(s), by a person familiar with the construction and operation of the product and the hazards involved.*

Caution: Do not exceed maximum wattage noted on fixture. Use only recommended bulbs with fixture.

Please Note: After installation extra hardware and accessories are possible; our kits are used on multiple products.

To Install Fixture (Figure 1 - on following page)

CAUTION: BE SURE POWER IS OFF AT THE MAIN BREAKER BOX PRIOR TO INSTALLATION.

1. Carefully unpack the fixture (A) from the carton.
2. Thread two studs (D) into the appropriate holes in the crossbar (B) that align with fixture (A) and desired orientation.
3. Using two machine screws (not provided) attach crossbar (B) to the electric box using outer oval holes to orient fixture.

Note: A new electric box comes with screws. When replacing a fixture, retain the existing screws for use with the new fixture.

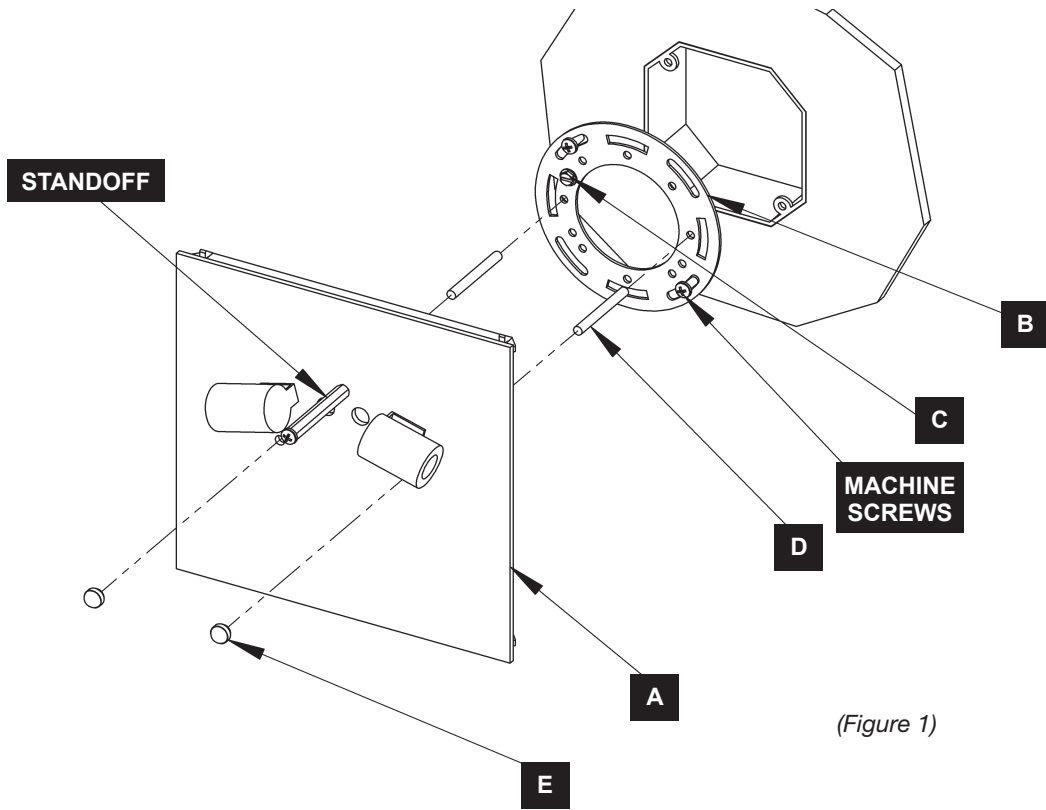
4. Adjust the studs (D) to proper length to ensure the fixture will fit snugly against the wall.
5. Using suitable wire connectors (not provided) connect fixture wires to supply (white to white and black to black). Attach a pigtail lead to the crossbar ground screw (C). Connect all ground wires (bare copper or green to bare copper or green).

CAUTION: MAKE SURE WIRE CONNECTORS ARE TWISTED ON SECURELY, AND NO BARE WIRE IS EXPOSED.

6. For installing fixture as seen on page 1, be sure standoff is on the top, as seen in Figure 1. If leather strap is to be mounted in the opposite direction, rotate fixture 180 degrees and be sure standoff is on the bottom.
7. Carefully tuck all wires behind fixture, push fixture firmly against the wall. Secure by threading knurled balls (E) onto threaded studs (D).

Note: Be sure no wires are pinched between the wall and the fixture. Be sure threaded studs are fully seated in knobs.

8. See instructions on next page for installing shade and leather.



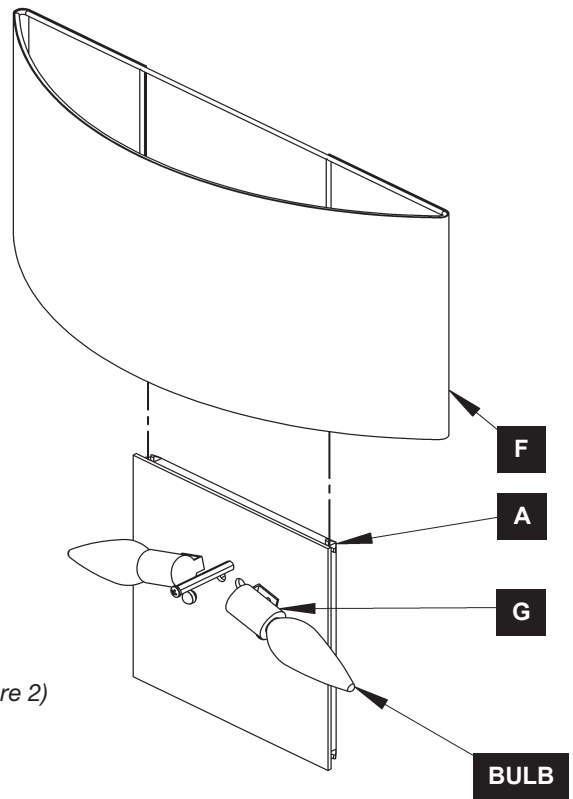
(Figure 1)

To Install Shade (Figure 2)

1. Install light bulbs (not included) into sockets (G).
2. Slip shade (F) onto fixture (A).

Note: It might be necessary to pull shade forward while sliding onto fixture. When shade is correctly located, it will snap into fixture.

3. Follow steps on remaining page to install leather strap.



(Figure 2)



Saratoga Sconce 204070

To Install Leather Strap (Figure 3)

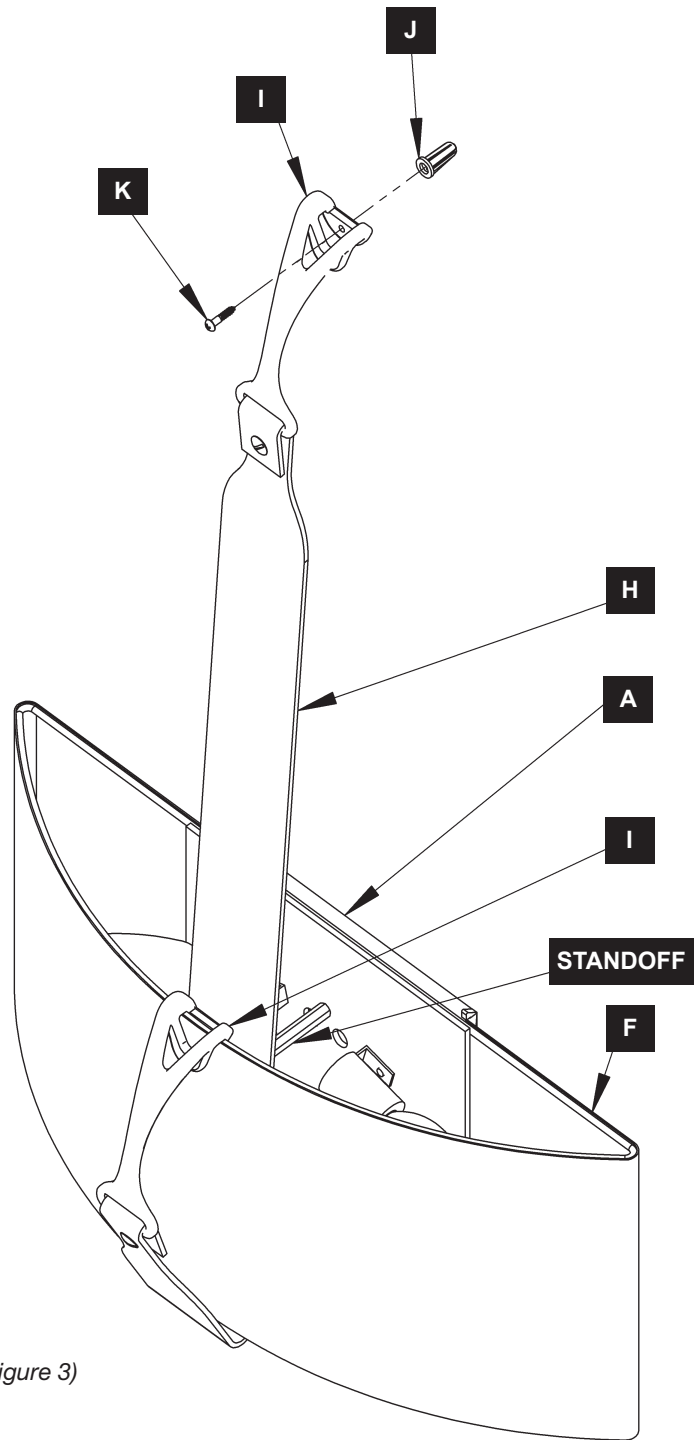
1. Unpack leather strap (H) with hooks (I) attached.
2. Clip one hook (I) onto front of shade (F). Be sure it's centered.
3. Run leather strap (H) under shade (F) and up through the top of fixture (A).

Note: Standoff is used to keep leather strap from being too close to bulbs.

4. Remove slack in leather strap (H). Hold remaining hook (I) plumb with hook (I) on shade (F) and press hook (I) to wall. With a pencil, mark the location of hole in hook (I) on the wall behind.
5. Fold leather strap (H) over front of shade (F) temporarily.
6. Drill a 3/16" hole in the location marked on the wall. Place the tapered end of the anchor (J) into hole and gently tap them flush to the wall using a light weight hammer.
7. Raise leather strap (H) and hook (I) back to anchor. Using provided screw (K), attach hook (I) to wall.

Note: Be careful not to over-tighten or strip anchor (J).

8. Restore electricity at the main breaker,



(Figure 3)

If you need further assistance, or find that you are missing any parts, please contact the dealer from which you purchased this product. We hope you enjoy your fixture!

*** Hubbardton Forge will not be liable for injury or damage caused by improper installation, lamping or use of this fixture.**