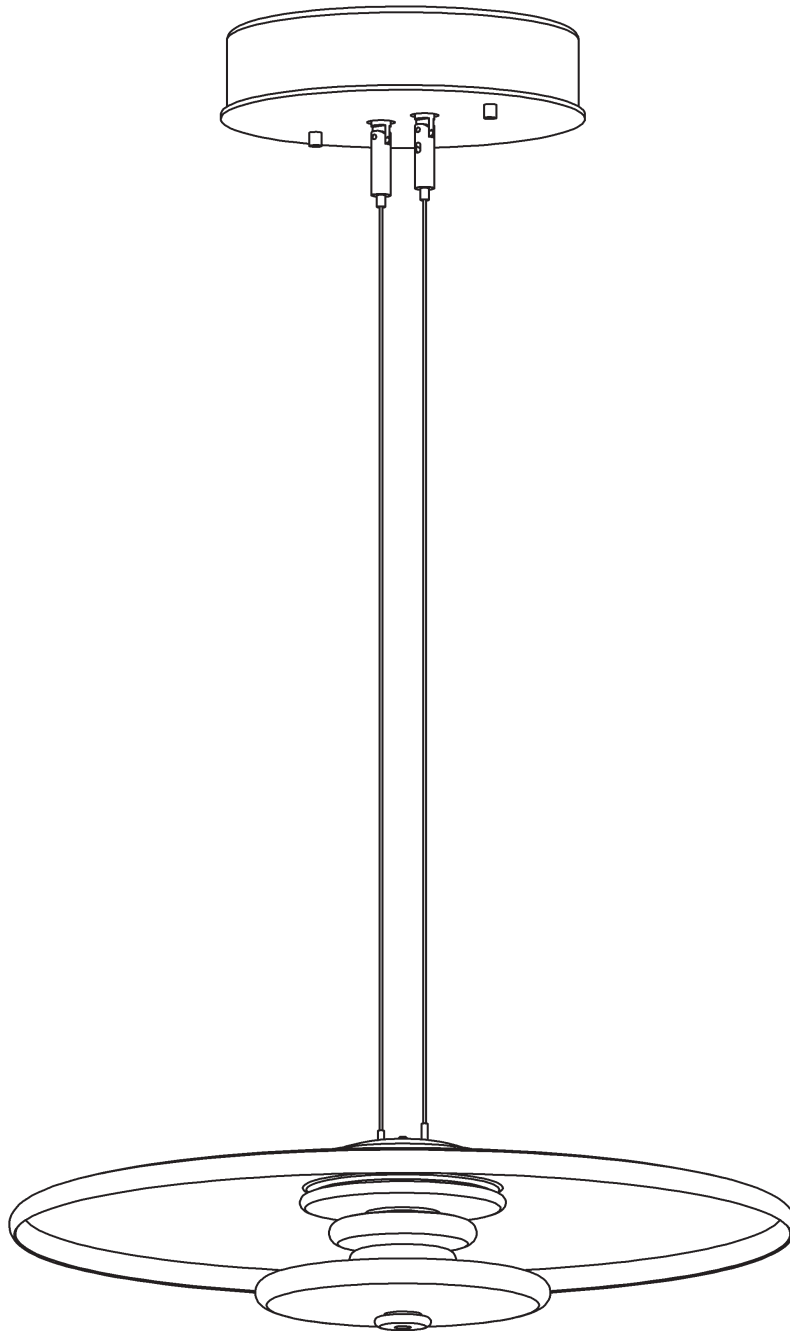


# ASSEMBLY & INSTALLATION INSTRUCTIONS

A639

Cairn Pendant w/ Accent 139971

---



**Component Parts**

- A Canopy**
- B Canopy Cover Plate**
- C Knob w/Threaded Stud (2)**
- D Ground Screw**
- E Cupped Washer**
- F Anchors (2)**
- G #10 Screws (2)**
- H Gripper (2)**
- I Gripper Plate**
- J #8 Screws (2)**
- K Driver**
- L Standoff (2)**
- M Fixture**
- N Support/Supply Cable (2)**



# ASSEMBLY & INSTALLATION INSTRUCTIONS

A639

Cairn Pendant w/ Accent 139971

**CAUTION: FAILURE TO INSTALL THIS FIXTURE PROPERLY MAY RESULT IN SERIOUS PERSONAL INJURY OR DEATH AND PROPERTY DAMAGE.** We recommend installation by a licensed electrician. This product must be installed in accordance with applicable installation code(s), by a person familiar with the construction and operation of the product and the hazards involved.\*

**Caution:** Do not exceed maximum wattage noted on fixture. Use only recommended bulbs with fixture.

Please Note: After installation extra hardware and accessories are possible; our kits are used on multiple products.

## To Attach to Ceiling *(Figure 1 - on following page)*

**CAUTION: BE SURE POWER IS OFF AT THE MAIN BREAKER BOX PRIOR TO INSTALLATION.**

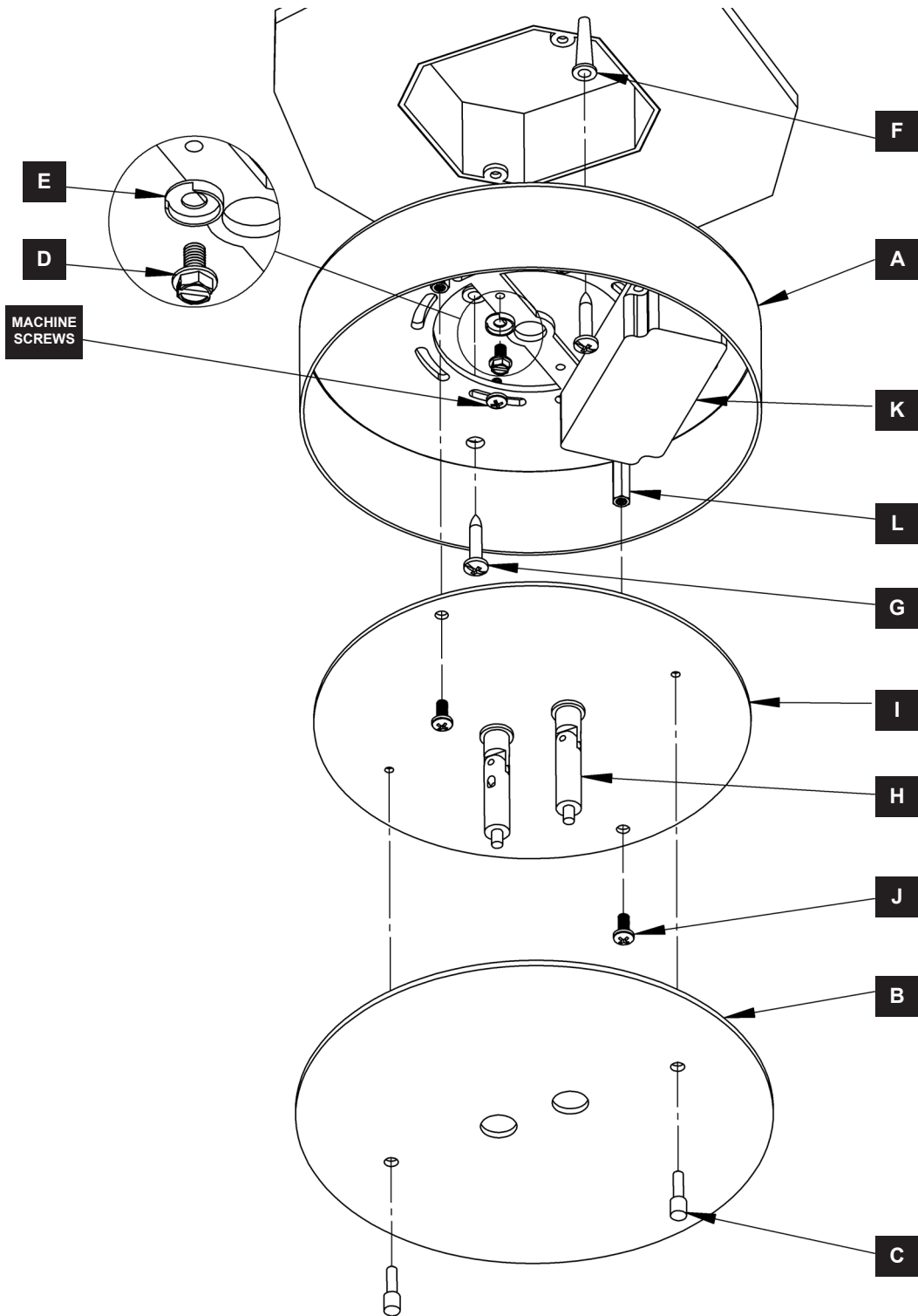
1. Carefully unpack fixture from carton.
2. Locate canopy assembly. Remove knobs with stud (C) and canopy cover plate (B) and set aside for later use.
3. Remove (2) #8 screws (J) and gripper plate (I) from canopy (A).  
*Note: To ensure fixture orientation will be correct, take note of gripper locations on canopy before next steps.*
4. Center canopy (A) over electrical box. Be sure to line up oval slots in canopy with mounting holes in electrical box. With a pencil, mark location of (2) mounting holes in the canopy on the ceiling.
5. Put canopy (A) down and drill 1/4" holes in locations marked on the ceiling. Place the tapered end of anchors (F) into the holes and gently tap them flush to the ceiling using a light weight hammer.
6. Thread wires from the electrical box through the center hole in canopy (A) while moving canopy into position. Using two machine screws (not provided), fasten canopy (A) to electrical box using oval slots in center.  
*Note: A new electric box comes with screws. When replacing a fixture, retain the existing screws for use with the new fixture.*
7. Using #10 screws (G), screw canopy (A) securely to ceiling. Be careful not to over-tighten or strip anchors (F).
8. Attach a pigtail lead to the canopy (A) using provided ground screw (D) and cupped washer (E), found in kit bag.
9. Using suitable wire connectors (not provided), connect driver (K) wires to supply wires (white to white and black to black). Connect all ground wires (bare copper or green to bare copper or green) together.

**CAUTION: MAKE SURE WIRE CONNECTORS ARE TWISTED ON SECURELY, AND NO BARE WIRES ARE EXPOSED.**

10. Re-install gripper plate (I) by installing (2) #8 screws (J) into standoffs (L) in canopy (A).
11. Lift canopy cover plate (B) up to the bottom of canopy (A) allowing the grippers (H) to come through holes in the center of the canopy cover plate (B).
12. Secure canopy cover plate (B) with knobs with threaded studs (C).

Cairn Pendant w/ Accent 139971

To Attach to Ceiling (Figure 1)



(Figure 1)

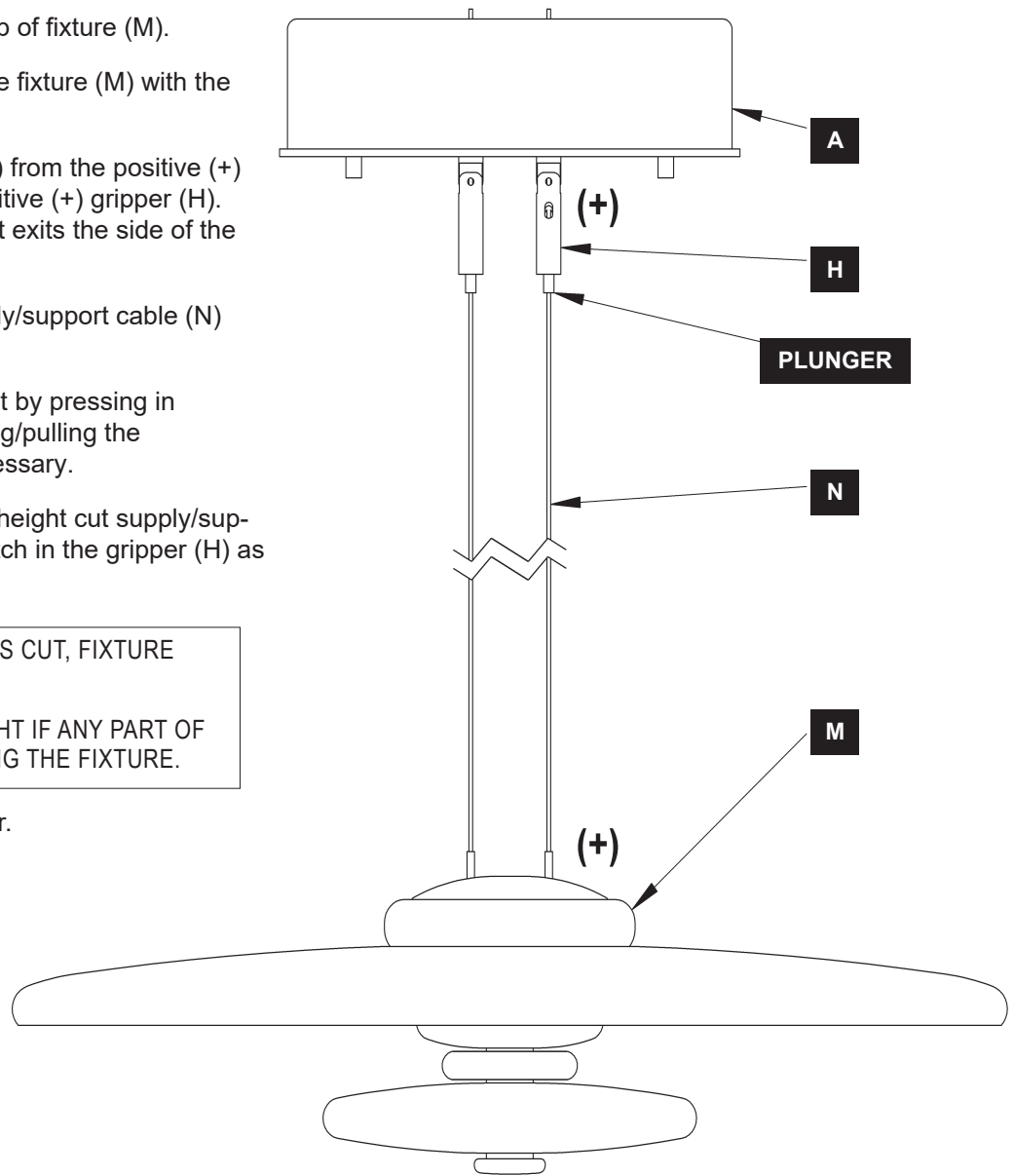
**To Install Fixture** (Figure 2)

1. Locate the positive (+) label on top of fixture (M).
2. Align the positive (+) sticker on the fixture (M) with the positive (+) sticker on gripper (H).
3. Push the support/supply cable (N) from the positive (+) side of the fixture (M) into the positive (+) gripper (H). Push cable in far enough so that it exits the side of the gripper.
4. Repeat step 3 for remaining supply/support cable (N) and gripper (H).
5. Adjust fixture (M) to desired height by pressing in plunger on gripper (H) and pushing/pulling the supply/support cables (N) as necessary.
6. Once fixture (M) is at the desired height cut supply/support cables (N) as close to the notch in the gripper (H) as possible.

**CAUTION:** ONCE EXCESS CABLE IS CUT, FIXTURE CANNOT BE LOWERED.

**CAUTION:** FIXTURE WILL NOT LIGHT IF ANY PART OF THE SUPPORT CABLE IS TOUCHING THE FIXTURE.

7. Restore electricity at main breaker.



(Figure 2)

If you need further assistance, or find that you are missing any parts, please contact the dealer from which you purchased this product. We hope you enjoy your fixture!

**\* Hubbardton Forge will not be liable for injury or damage caused by improper installation, lamping or use of this fixture.**