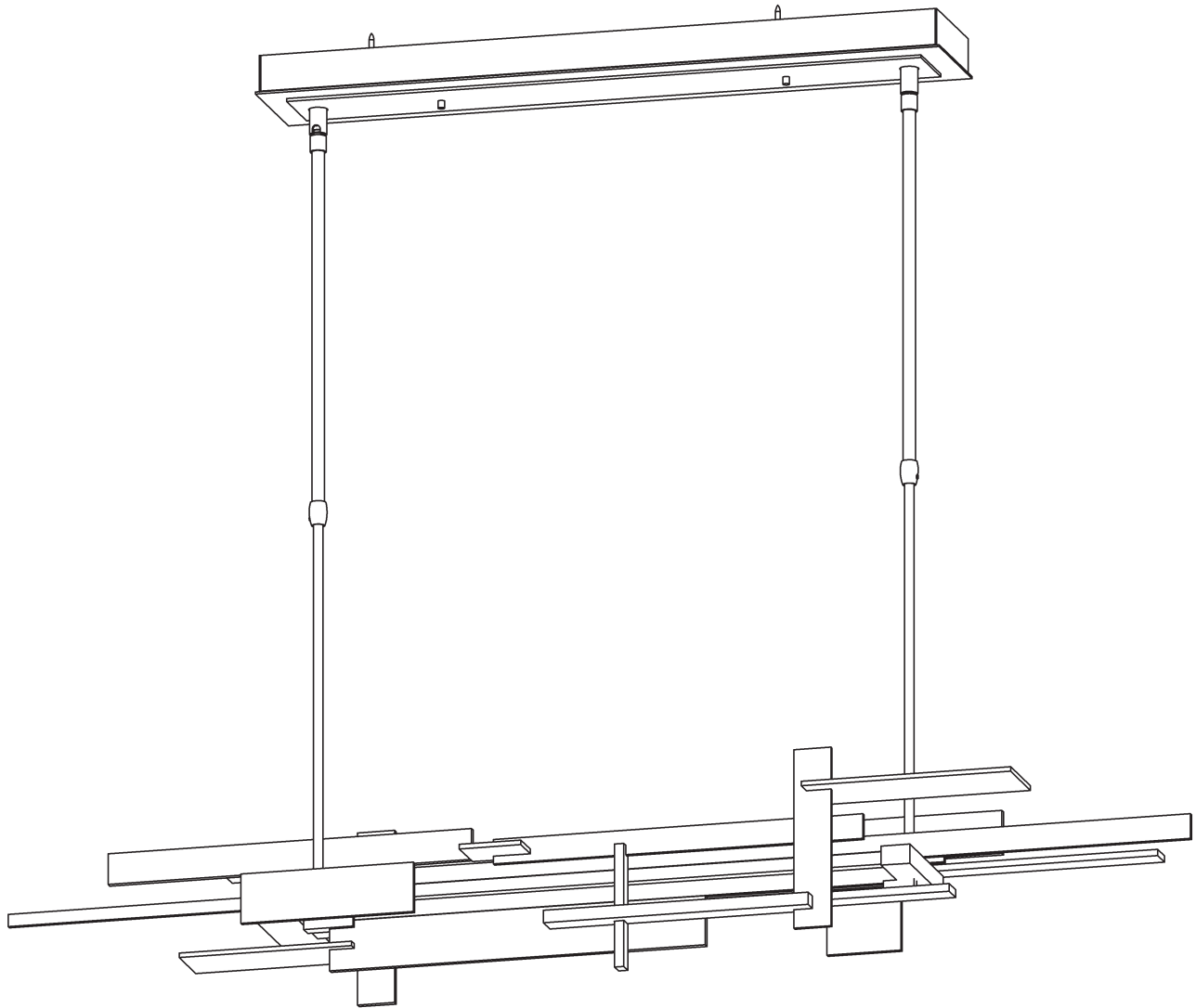


# ASSEMBLY & INSTALLATION INSTRUCTIONS

A637

Planar Pendant w/ Accent 139721

---



**Component Parts**

- A     Fixture**
- B     Fixture Pipe (2)**
- C     Fixture Coupling (2)**
- D     Mounting Bracket**
- E     Clutch (2)**
- F     Set Screw (2)**
- G     Plastic Sleeve (2)**
- H     Canopy Pipe (2)**
- I     Swivel (2)**
- J     Canopy**
- K     Hex Nipple (2)**
- L     Lock Washer (2)**
- M     # 10 Screws (8)**
- N     Ground Nut**
- O     Cupped Washer**
- P     Safety Cable**
- Q     Safety Cable Nut**
- R     Driver**
- S     Standoffs (2)**
- T     Barrel Knobs (2)**
- U     Accent Assembly**
- V     Nylon Tip Set Screw (2)**



# ASSEMBLY & INSTALLATION INSTRUCTIONS

A637

Planar Pendant w/ Accent 139721

**CAUTION: FAILURE TO INSTALL THIS FIXTURE PROPERLY MAY RESULT IN SERIOUS PERSONAL INJURY OR DEATH AND PROPERTY DAMAGE.** We recommend installation by a licensed electrician. This product must be installed in accordance with applicable installation code(s), by a person familiar with the construction and operation of the product and the hazards involved.\*

Please Note: After installation extra hardware and accessories are possible; our kits are used on multiple products.

## To Install Fixture (Figures 1 & 2)

**CAUTION: BE SURE POWER IS OFF AT THE MAIN BREAKER BOX PRIOR TO INSTALLATION.**

1. Carefully unpack the fixture from the carton.
2. Carefully slide one fixture pipe (B), threaded end first, over fixture wires.
3. Apply a drop of the supplied thread locking compound to the internal threads of the fixture coupling (C) and screw fixture pipe (B) into coupling (C), being careful not to twist the wires.

**Note:** Application of the thread locking compound is necessary to prevent the stem from loosening during regular maintenance and cleaning of the fixture. Be certain to apply the compound.

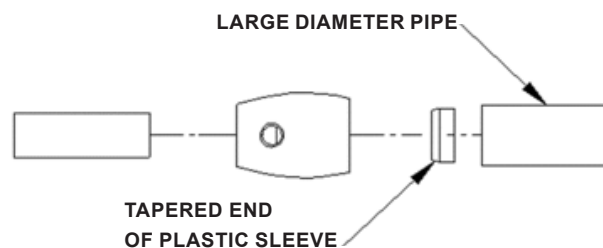
4. Screw second fixture pipe (B), again using locking compound, into fixture coupling (C) on other side of fixture (A) without wires.
5. Line up holes in canopy (J) with fixture pipes (B). Slide over fixture pipes (B) until canopy (J) rests on top of fixture (A).
6. Temporarily hold mounting bracket (D) centered over the electrical box. Mark all mounting holes on a structural member in the ceiling. Wood screws are supplied with your fixture for a later step; however, different materials and/or construction methods may require different fasteners. If in doubt, contact a qualified electrician.
7. Hex nipple (K) and lock washer (L) are shipped installed in swivel (I) at end of canopy pipe (H). Remove both from swivel. Insert threaded end of hex nipple (K) down through lock washer (L), mounting bracket (D) and into swivel at the end of canopy pipe (H).

**Note:** Mounting bracket should be oriented with standoffs (S) pointing down. See Figure 2.

8. Tighten hex nipples (K) securely being sure notches in swivels (I) are aligned.

**Note:** If installing on a sloped ceiling, make certain that notches in swivel (P) are oriented toward the lower side of the slope.

9. Thread wires from fixture pipe (B) through canopy pipe (H) and up through hex nipple (K).



(Figure 1)

# ASSEMBLY & INSTALLATION INSTRUCTIONS

A637

Planar Pendant w/ Accent 139721

10. Unscrew clutch (E) from canopy pipe (H); slide it across wires and onto fixture pipe (B). It may be necessary to loosen set screw (F) in clutch (E). Follow this with plastic clutch sleeve (G), oriented so the tapered end of clutch sleeve nests in the clutch. Repeat for second set of pipes. (Figure 1).
11. Slide canopy pipe (H) as far as necessary to set desired height of fixture. Be careful not to scratch the pipe surfaces and to pull excess wire up through canopy pipe (H). Screw and tighten clutch (E) onto canopy pipe (H). There must be a minimum 1-1/2" of inner pipe inside outer pipe.
12. Once fixture height is properly adjusted, tighten both set screws (F) firmly with hex wrench provided.

**CAUTION:** DUE TO WEIGHT OF THIS FIXTURE, IT REQUIRES A TWO PERSON LIFT FOR THE FOLLOWING STEP.

13. Center mounting bracket (D) over the electrical box. Using #10 screws (M), attach mounting bracket (D) to a structural member in the ceiling. Wood screws are supplied with your fixture; however, different materials and/or construction methods may require different fasteners. If in doubt, contact a qualified electrician.

**NOTE:** Do not attach bracket directly to outlet box.

14. Raise canopy (J). Connect safety cable (P) from canopy to mounting bracket (D) using safety cable nut (Q) which is shipped attached to mounting bracket.
15. To wire fixture, route red and blue wires from canopy pipe (H) through the oval side slot in mounting bracket (D). The LED Driver OUTPUT wires are red and blue (or black) and are shipped with connectors attached. Connect the red wires from the fixture to the red wires from the driver using this connector. Repeat the same for the blue wires. Blue to blue or blue to black.

**WARNING:** DO NOT CONNECT RED AND BLUE FIXTURE WIRES TO MAINS VOLTAGE, AS THIS CAN DAMAGE LEDS AND VOID WARRANTY COVERAGE.

16. Attach a pigtail lead to the mounting bracket (D) using cupped washer (O) and ground nut (N) which are shipped attached to bracket.
17. Using suitable wire connectors (not provided) connect Driver INPUT wires to mains supply wires (white to white and black to black). Connect all ground wires (bare copper or green to bare copper or green) together.

**CAUTION:** MAKE SURE WIRE CONNECTORS ARE TWISTED ON SECURELY AND NO BARE WIRE IS EXPOSED.

18. Barrel knobs (T) have studs attached. Slide canopy (J) over mounting bracket (D) and push firmly to ceiling.

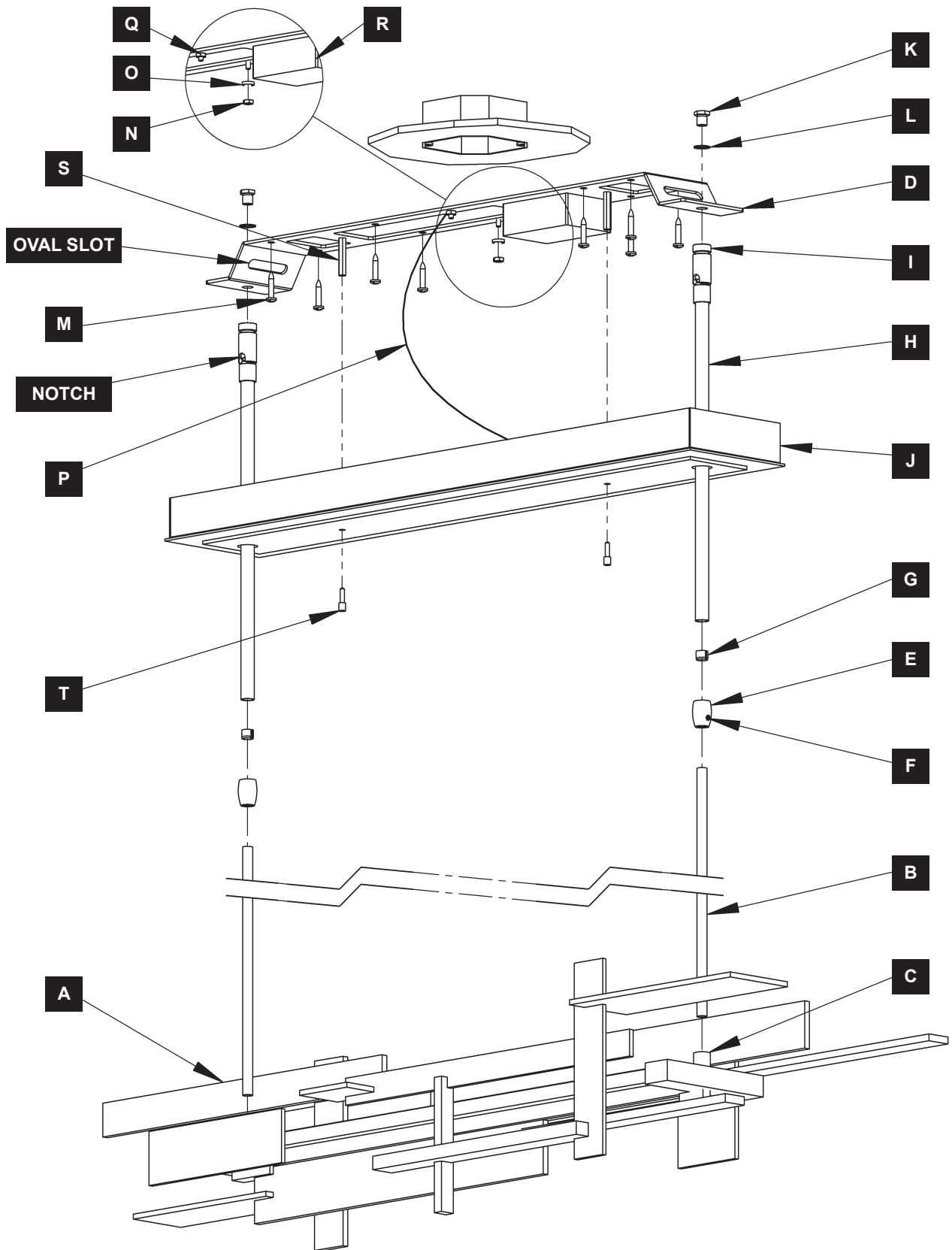
**CAUTION:** BE SURE NO WIRES ARE PINCHED BETWEEN CANOPY AND CEILING.

19. Screw barrel knobs (T) into standoffs (S) to secure canopy (J).
20. Follow steps on remaining pages to complete installation.

# ASSEMBLY & INSTALLATION INSTRUCTIONS

A637

Planar Pendant w/ Accent 139721



(Figure 2)

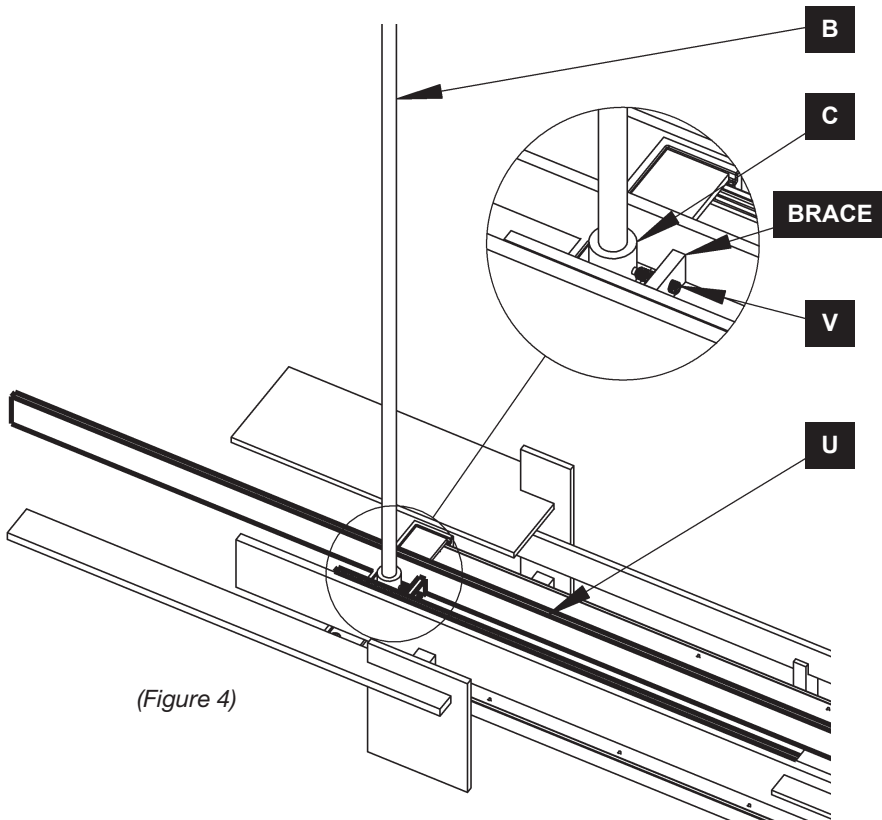
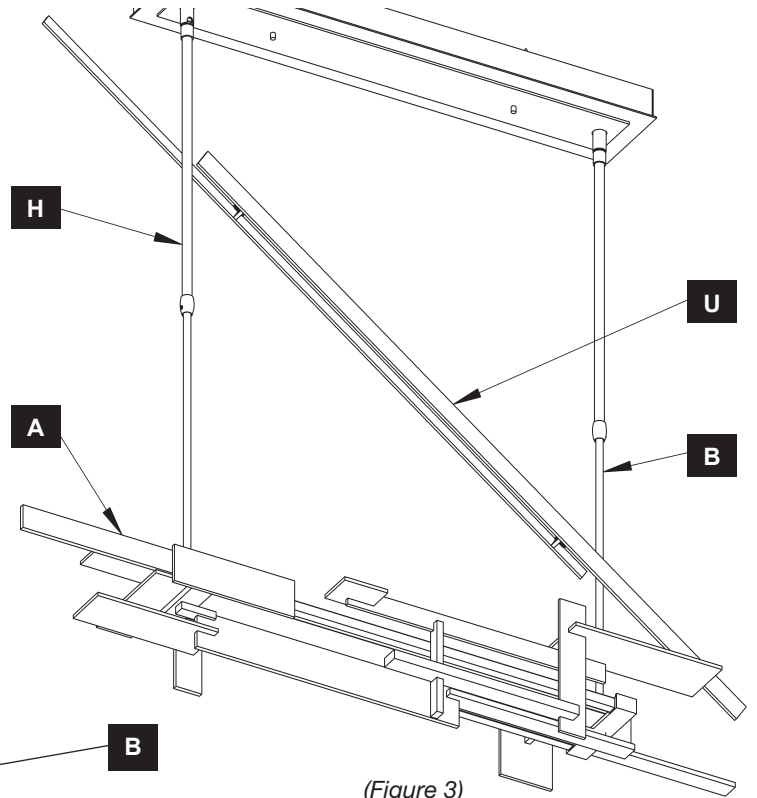


HUBBARDTON FORGE.

Planar Pendant w/ Accent 139721

## To Install Accent Assembly (Figures 3 & 4)

1. Locate accent assembly (U).
2. Nylon tip set screws (V) are shipped installed in braces on accent assembly (U). It may be necessary to loosen these to aid future installation steps.
3. Tip accent assembly (U) on an angle as seen in Figure 3 and slide between fixture pipes (B).
4. Slide accent (U) down until it rests on top of fixture (A).
5. Center braces on accent assembly (U) between fixture couplings (C).
6. Tighten both nylon tip set screws (V) evenly against fixture couplings (C) with provided hex wrench to secure accent assembly (U).
7. Restore electricity at main breaker.



If you need further assistance, or find that you are missing any parts, please contact the dealer from which you purchased this product. We hope you enjoy your fixture!

**\* Hubbardton Forge will not be liable for injury or damage caused by improper installation, lamping or use of this fixture.**