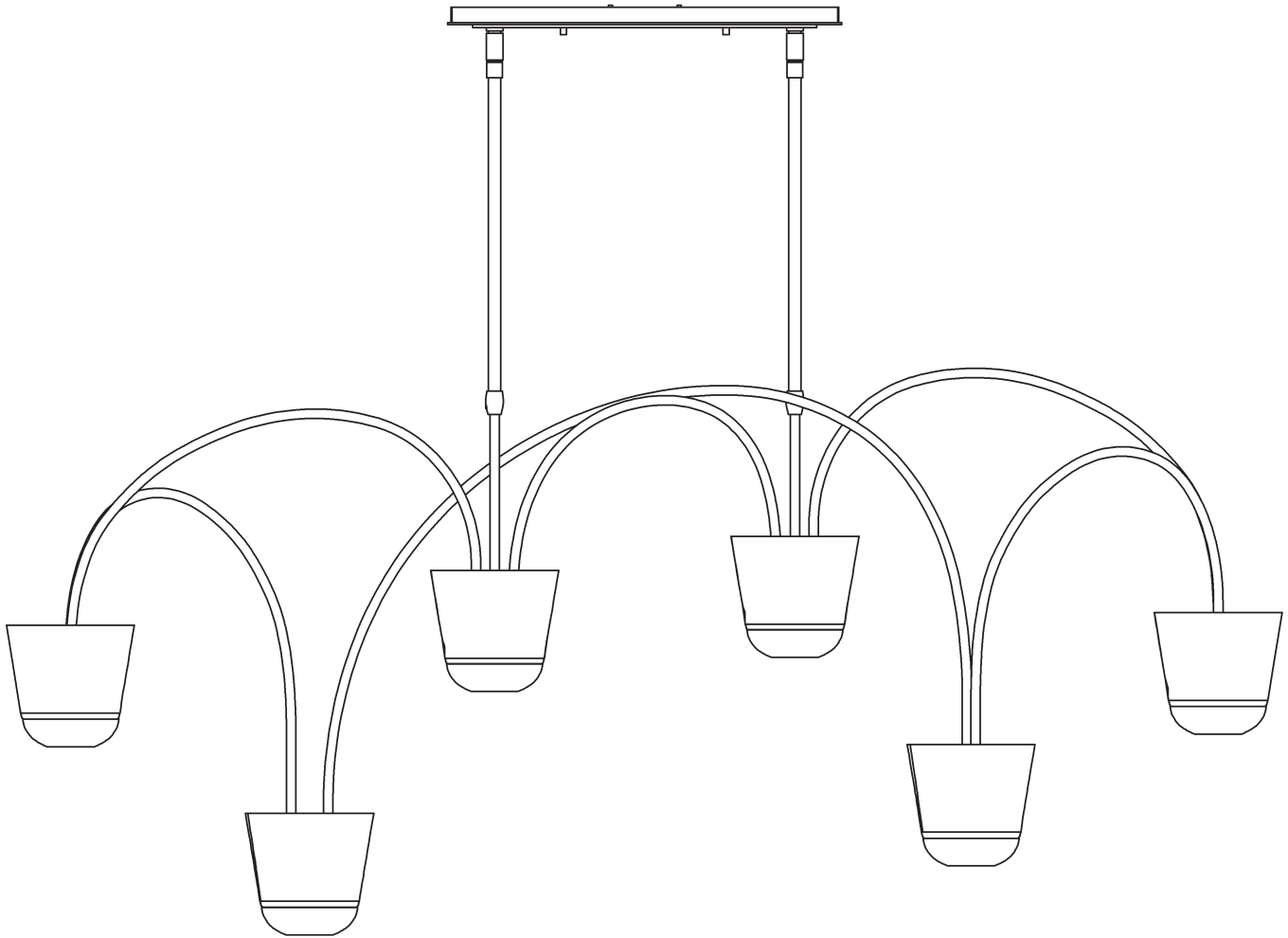


ASSEMBLY & INSTALLATION INSTRUCTIONS

A634

Splash Pendant 138915



Component Parts

A	Fixture	Q	Fixture Pipes (2)
B	Crossbar	R	Fixture Coupling (2)
C	Hex Nipple (2)	S	Anchor
D	Lock Washer (2)	T	#10 Screw (2)
E	Swivel (2)	U	Cup (6)
F	Canopy Pipe (2)	V	Glass (6)
G	Ceiling Bracket	W	Retaining Ring (6)
H	Threaded Stud (2)	X	Bulb (6)
I	Canopy	Y	Retaining Ring Tool
J	Cupped Washer		
K	Clutch (2)		
L	Plastic Clutch Sleeve (2)		
M	Set Screw (2)		
N	Ground Screw		
O	#8 Screw (2)		
P	Barrel Knob (2)		



ASSEMBLY & INSTALLATION INSTRUCTIONS

A634

Splash Pendant 138915

CAUTION: FAILURE TO INSTALL THIS FIXTURE PROPERLY MAY RESULT IN SERIOUS PERSONAL INJURY OR DEATH AND PROPERTY DAMAGE. We recommend installation by a licensed electrician. This product must be installed in accordance with applicable installation code(s), by a person familiar with the construction and operation of the product and the hazards involved.*

Caution: Do not exceed maximum wattage noted on fixture. Use only recommended bulbs with fixture.

Please Note: After installation extra hardware and accessories are possible; our kits are used on multiple products.

To Install Fixture (Figures 1 & 2)

CAUTION: BE SURE POWER IS OFF AT THE MAIN BREAKER BOX PRIOR TO INSTALLATION.

1. Carefully unpack the fixture (A) from the carton.
2. Carefully thread fixture pipes (Q) over fixture wires, threaded end first.
3. Apply a drop of the supplied thread locking compound to the internal threads of the fixture coupling (R) and screw in the fixture pipe (Q), being careful not to twist the wires. Repeat for second fixture pipe (Q). Set the fixture (A) aside for now.

Note: Application of the thread locking compound is necessary to prevent the stem from loosening during regular maintenance and cleaning of the fixture. Be certain to apply the compound.

4. Remove hex nipple (C) and lock washer (D) from the swivel (E) at the end of canopy pipe (F).
5. Insert the threaded end of hex nipple (C) down through lock washer (D) and ceiling bracket (G) and back into swivel (E) at the end of canopy pipe (F).

Note: Ceiling bracket (G) is oriented with threaded studs (H) pointing downward.

6. Repeat steps 4 & 5 for the remaining side.
7. Tighten hex nipple (C) securely being sure the notches in swivels (E) are aligned.

Note: If installing on a sloped ceiling, make certain the notches in the swivels are oriented toward the lower side of the slope.

8. Thread wires from fixture pipe (Q) through canopy (I) and slide canopy down over fixture pipes until it rests on the top of fixture (A).
9. Using two machine screws (not provided) fasten crossbar (B) to the electric box using outer oval slots to orient fixture to desired hanging position.

Note: A new electric box comes with screws. When replacing a fixture, retain the existing screws for use with the new fixture.

10. Center ceiling bracket (G) over the crossbar (B). Align the holes in the ceiling bracket with two tapped holes in the crossbar (B) making sure to orient bracket in desired position. With a pencil, mark the location of anchor positions on the ceiling. Set ceiling bracket aside.
11. Drill 1/4" holes in the locations marked on the ceiling. Place the tapered end of the anchor (S) into the hole and gently tap flush to the ceiling using a light weight hammer.
12. Thread the wires from fixture pipe (Q) through canopy pipe (F), swivel (E), ceiling bracket (G) and hex nipple (C).



HUBBARDTON FORGE.

MODERN AMERICAN BLACKSMITHS | FINE, HAND CRAFTED LIGHTING
CASTLETON, VERMONT USA | HUBBARDTONFORGE.COM

45147
3 OF 6

Splash Pendant 138915

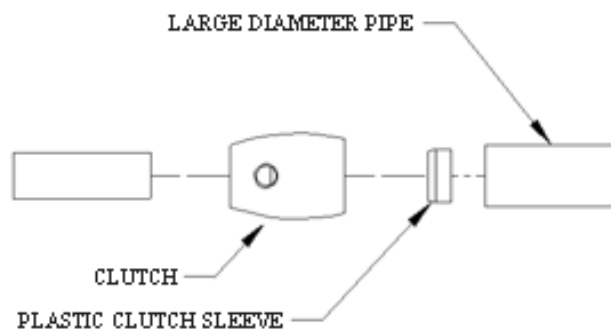
13. Unscrew clutch (K) from canopy pipe (F), slide it over the wires and onto fixture pipe (Q). Follow this with the plastic clutch sleeve (L), oriented so the tapered end of the clutch sleeve nests inside the clutch. See Figure 1. It may be necessary to loosen the set screw (M). Repeat for other clutch.
14. Slide the canopy pipes (F) as far as necessary to give you the total height of the fixture that you desire. Be careful not to scratch the pipe surfaces and to pull excess wire up through the canopy pipes. Screw clutch (K) onto canopy pipe (F). There must be a minimum of 1-1/2" of inner pipe inside the outer pipe. Securely tighten the set screw (M) with provided hex wrench.

Note: To ensure full connection strength, be sure the tapered end of the plastic clutch sleeve (L) is oriented toward the clutch (K) when assembled and securely tighten set screw (M) with provided hex wrench.

15. Raise fixture (A) to ceiling aligning the holes in ceiling bracket (G) with the holes in crossbar (B) and 1/4" drilled holes.
16. Attach ceiling bracket (G) to crossbar (B) using #8 screws (O) found in the kit bag.
17. Using #10 screws (T), screw the ceiling bracket (G) to the ceiling. Be careful not to over-tighten or strip the anchors (S).
18. Using suitable wire connectors (not provided) connect fixture wires to supply wires (white to white and black to black). Attach a pigtail lead to the crossbar (B) using the cupped washer (J) and ground screw (N) found in kit bag. Hold canopy (I) close to ceiling and connect all ground wires (bare copper or green to bare copper or green).

CAUTION: MAKE SURE WIRE CONNECTORS ARE TWISTED ON SECURELY, AND NO BARE WIRE IS EXPOSED.

19. Push canopy (I) over threaded studs (H) and firmly against the ceiling, being sure not to pinch wires between the ceiling and canopy. Secure canopy to threaded studs (H) using barrel knobs (P).
20. Follow instructions on page 6 to install bulbs and glass.

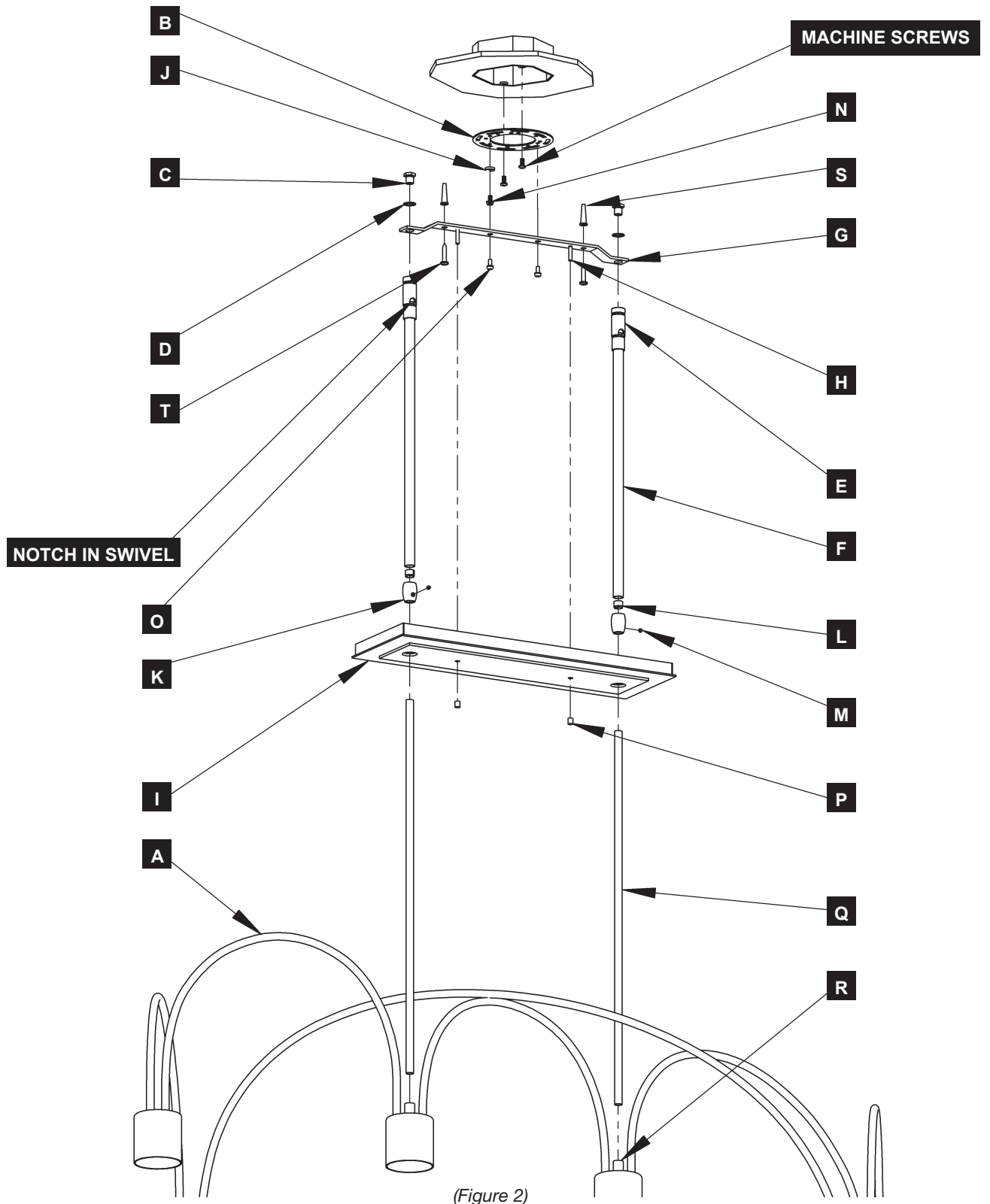


(Figure 1)

ASSEMBLY & INSTALLATION INSTRUCTIONS

A634

Splash Pendant 138915



(Figure 2)

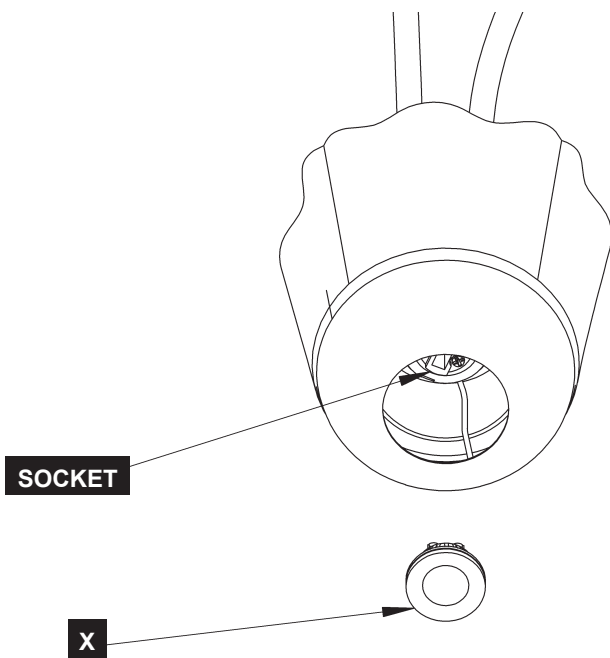
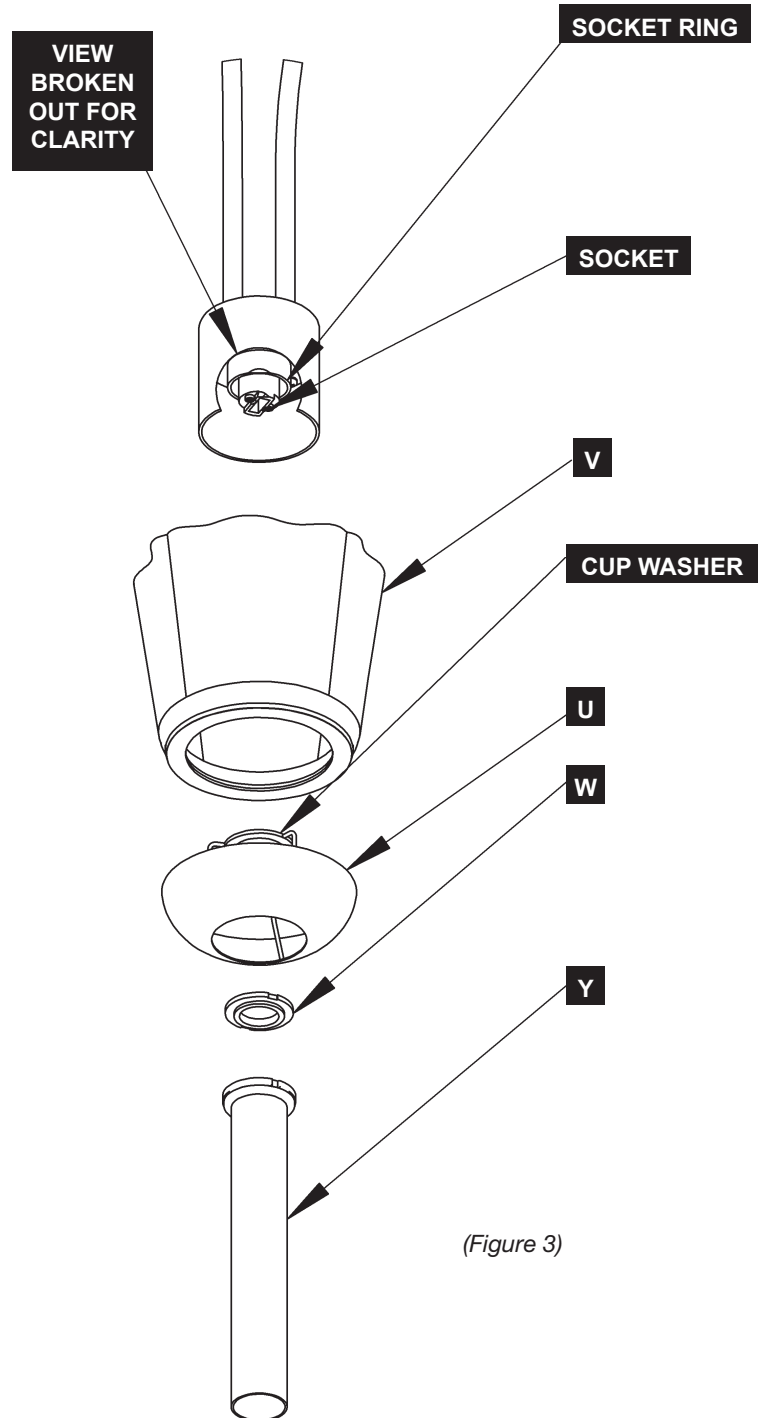


HUBBARDTON FORGE.

MODERN AMERICAN BLACKSMITHS | FINE, HAND CRAFTED LIGHTING
CASTLETON, VERMONT USA | HUBBARDTONFORGE.COM

To Install Glass and Bulb (Figures 3 & 4)

1. Locate glass (V) cups (U), retaining rings (W) and retaining ring tool (Y).
2. Set glass into cup (U).
3. Raise cup and glass up to fixture. Slide the cup washer over the socket until the washer is tight against the socket ring.
4. Using the retaining ring tool (Y), thread the retaining ring (W) on to the socket until cup (U) is held tightly against the socket ring.
5. Press bulb (X) up into socket. Figure 4
6. Repeat for remaining glass (V) and bulbs (X).
7. Restore electricity at main breaker.



(Figure 4)

(Figure 3)

If you need further assistance, or find that you are missing any parts, please contact the dealer from which you purchased this product. We hope you enjoy your fixture!

*** Hubbardton Forge will not be liable for injury or damage caused by improper installation, lamping or use of this fixture.**