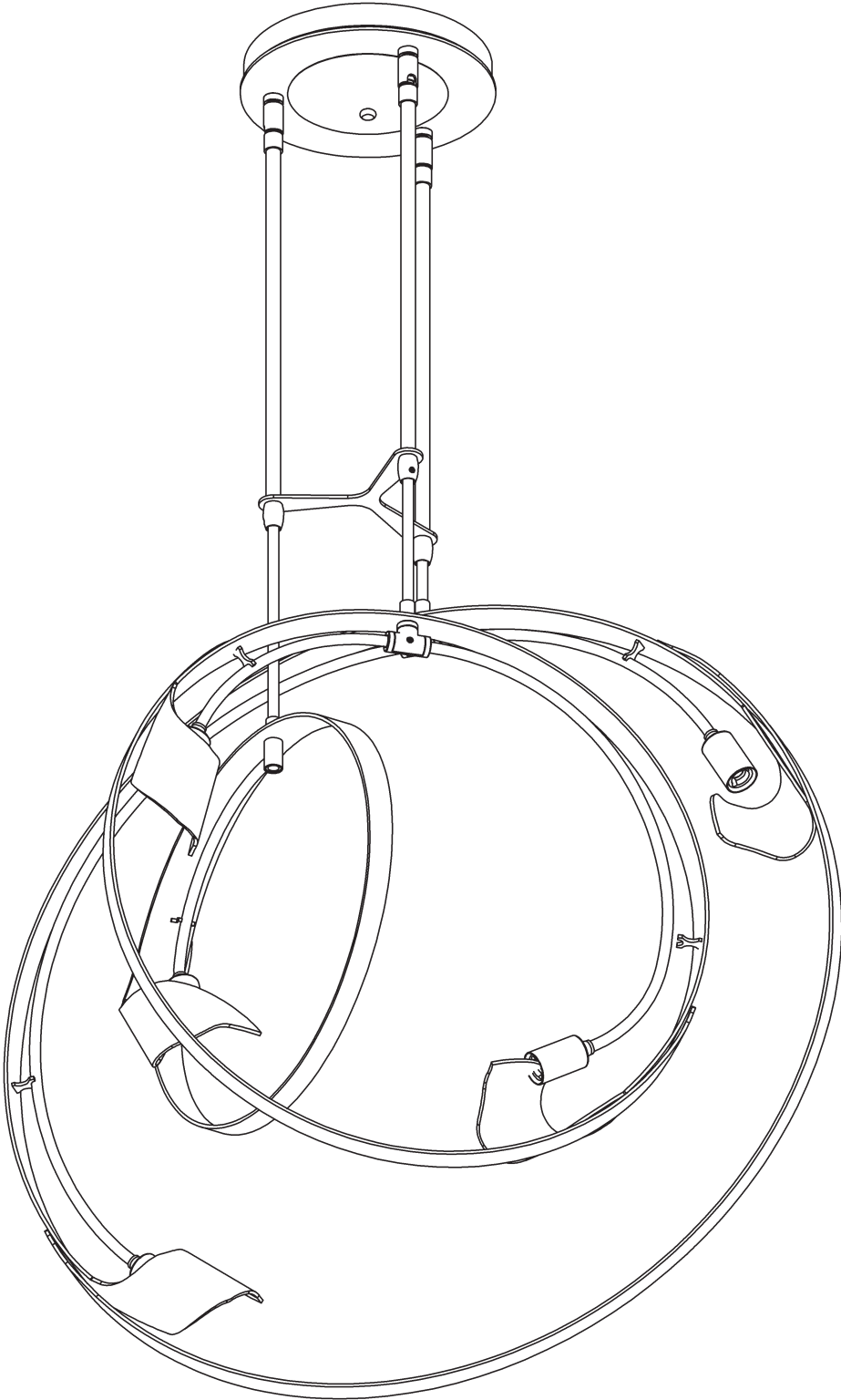


ASSEMBLY & INSTALLATION INSTRUCTIONS

A615

Orion Triple Pendant 136439



Component Parts

- A. Fixture**
- B. Fixture Pipe (3)**
- C. Fixture Coupling (3)**
- D. Canopy Pipe (3)**
- E. Hex Nipple (3)**
- F. Lock Washer (3)**
- G. Swivel (3)**
- H. Canopy**
- I. Clutch (3)**
- J. Clutch Sleeve (3)**
- K. Set Screw (3)**
- L. Crossbar**
- M. Threaded Studs (2)**
- N. Canopy Nipple**
- O. Ground Screw**
- P. Knurled Ball (2)**
- Q. Canopy Cover**
- R. Cap**
- S. Spacer Plate**
- T. Socket (5)**
- U. Wire Connectors (3)**

Orion Triple Pendant 136439

CAUTION: FAILURE TO INSTALL THIS FIXTURE PROPERLY MAY RESULT IN SERIOUS PERSONAL INJURY OR DEATH AND PROPERTY DAMAGE. We recommend installation by a licensed electrician. This product must be installed in accordance with applicable installation code(s), by a person familiar with the construction and operation of the product and the hazards involved.*

Caution: Do not exceed maximum wattage noted on fixture. Use only recommended bulbs with fixture.

Please Note: After installation extra hardware and accessories are possible; our kits are used on multiple products.

To Assemble Fixture (Figures 1 thru 4)

CAUTION: BE SURE POWER IS OFF AT THE MAIN BREAKER BOX PRIOR TO INSTALLATION.

1. Carefully unpack fixture (A) from the carton.
2. To aid in assembly and alignment, place large ring on a flat surface. Place medium ring inside large ring, then place small ring inside medium ring.
3. Locate fixture pipe (B) and slip the end of the pipe with threads over wires.
4. Apply a drop of the supplied thread locking compound to the internal threads of fixture coupling (C) and screw pipe into fixture, being careful not to twist or pinch the wires.
Note: Application of the thread locking compound is necessary to prevent the pipe from loosening during regular maintenance and cleaning of the fixture. Be certain to apply the compound.
5. Locate canopy pipes (D) with clutch (I) and swivel (G) attached. Remove hex nipples (E) and lock washers (F) from pipes and retain for later use
6. Unscrew the clutch (I) from canopy pipe (D); slide onto wires and fixture pipe (B). Follow this with the plastic sleeve (J) oriented so the tapered end nests in the clutch (Figure 1). It may be necessary to loosen the set screw (K) in the clutch (I).
7. Slide wires from fixture pipe (B) into hole in spacer plate (S). Slide spacer plate (S) onto fixture pipe (B).
8. Slide the wires from the fixture pipe (B) through the canopy pipe, swivel and canopy (H). Slide lock washer and hex nipple over wires and through canopy. Thread into swivel (G) and tighten to secure.
9. Repeat steps for remaining pipes and rings.
10. Slide the canopy pipes (D) over the fixture pipes (B) as far as necessary to give you the total desired height of the fixture. Be careful not to scratch the pipe surface and to pull excess wire up through the canopy pipe. There must be a minimum 1-1/2" of inner pipe inside the outer pipe.
11. Once desired height has been reached, tighten the set screws (K) in clutches (I) firmly with hex wrench provided.
12. Pull wires down through large openings in canopy (H).
13. Thread studs (M) through appropriate holes in the crossbar (L) to match holes in canopy (H).
14. Using two machine screws (not provided), fasten the crossbar (L) to the electric box with the head of the ground screw (O) facing down.

Note: A new electric box comes with screws. When replacing a fixture, retain the existing screws for use with the new fixture.

ASSEMBLY & INSTALLATION INSTRUCTIONS

A615

Orion Triple Pendant 136439

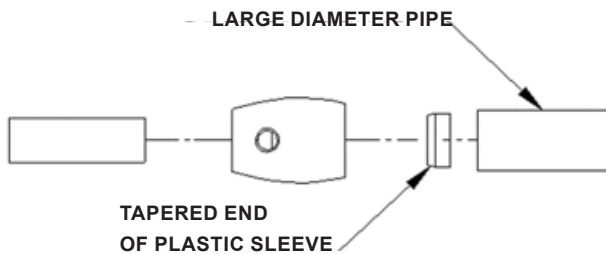
- Slide canopy (H), with fixture attached, over threaded studs (M) and push firmly to ceiling.

CAUTION: BE SURE NO WIRES ARE PINCHED BETWEEN THE CANOPY (E) AND THE CEILING.

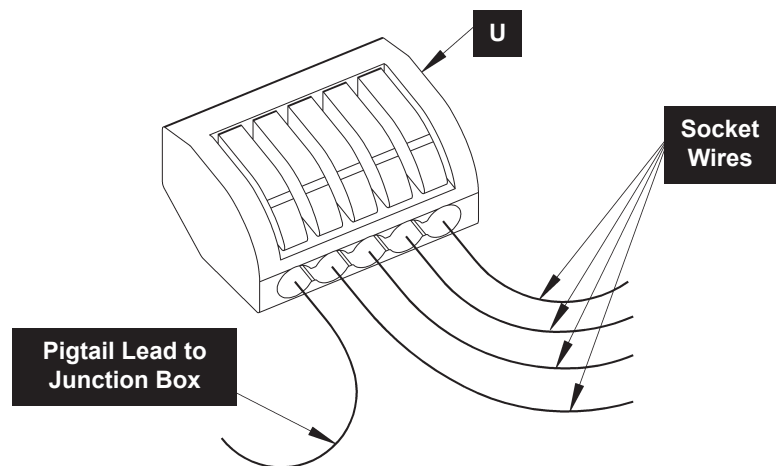
- Fasten with knurled balls (P). Be sure studs (M) are fully seated in knurled balls.
- Using the wire connectors (U) provided, connect four black fixture wires to one connector. Wires should be stripped 3/8" maximum. In the remaining connection of the wire connectors (U), run a black pigtail lead to the junction box. Repeat process for white wires and ground wires. (Figure 2).
- Using suitable wire connectors (not provided) connect fixture wires to supply (white to white and black to black). Run a pigtail lead from crossbar ground screw (O) to the junction box and connect all ground wires (bare copper or green to bare copper or green).

CAUTION: MAKE SURE WIRE CONNECTORS ARE TWISTED ON SECURELY AND NO BARE WIRE IS EXPOSED.

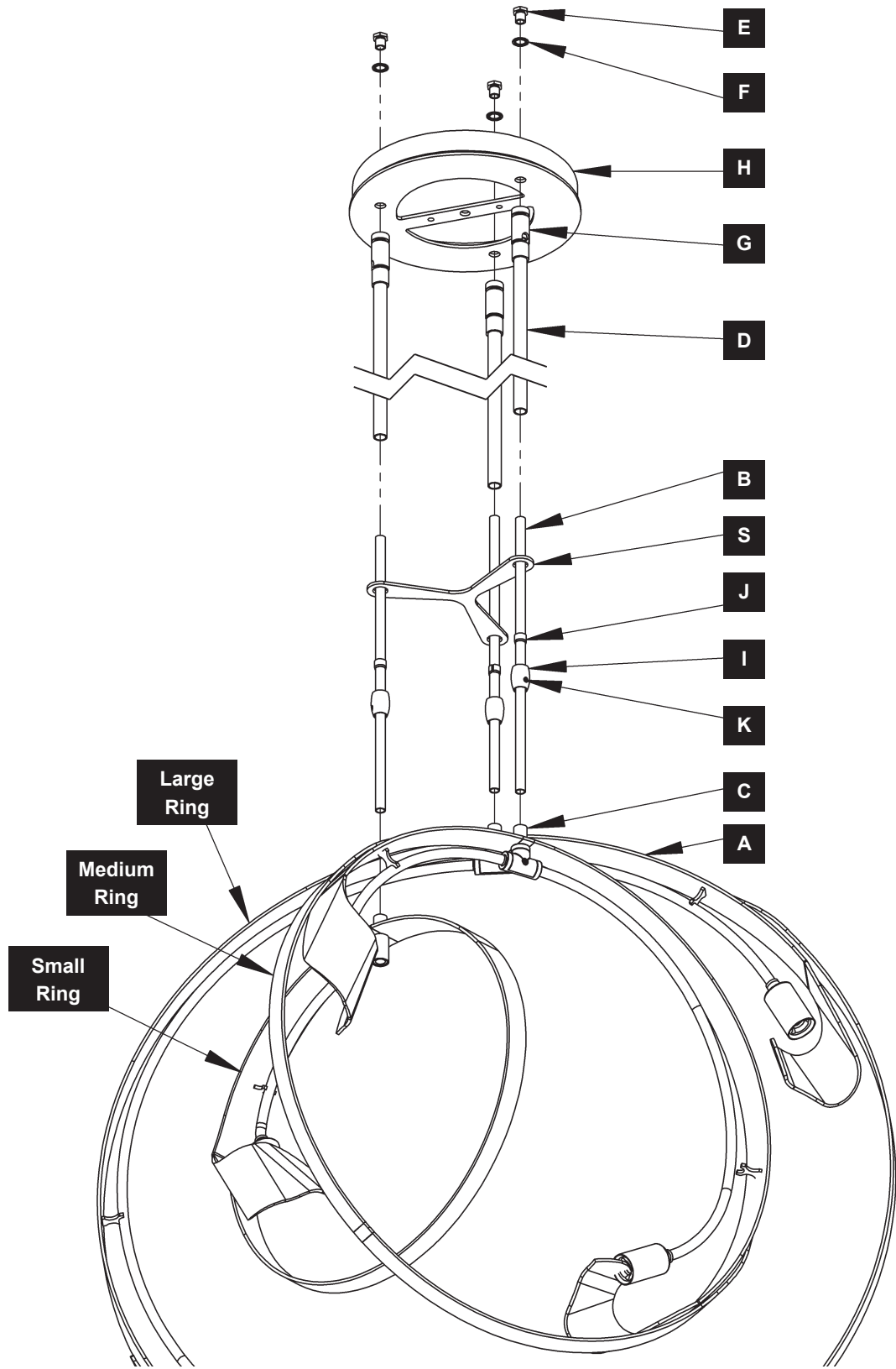
- Unthread cap (R) from canopy nipple (N) and save for later use.
- Thread canopy nipple (N) into threaded hole in center of canopy (H).
- Install canopy cover (Q) over canopy nipple (N).
- Thread cap (R) onto canopy nipple (N). Tighten against canopy cover (Q) until snug. Be sure nipple is fully seated in cap.
- Install bulb (not included) into socket (T).
- Repeat for remaining sockets (T).
- Restore electricity at main breaker.



(Figure 1)



(Figure 2)

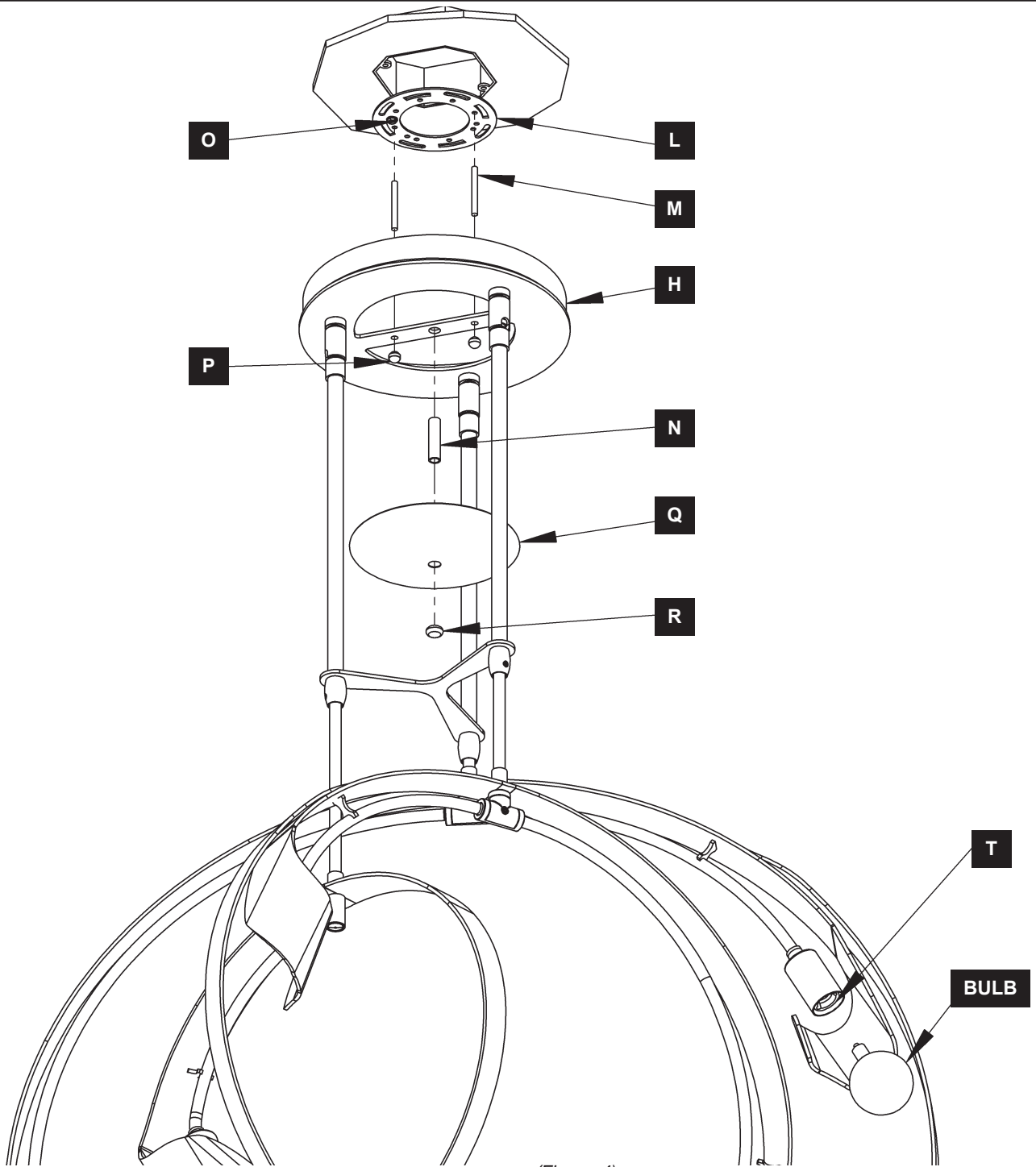


(Figure 3)

ASSEMBLY & INSTALLATION INSTRUCTIONS

A615

Orion Triple Pendant 136439



(Figure 4)

If you need further assistance, or find that you are missing any parts, please contact the dealer from which you purchased this product. We hope you enjoy your fixture!

*** Hubbardton Forge will not be liable for injury or damage caused by improper installation, lamping or use of this fixture.**