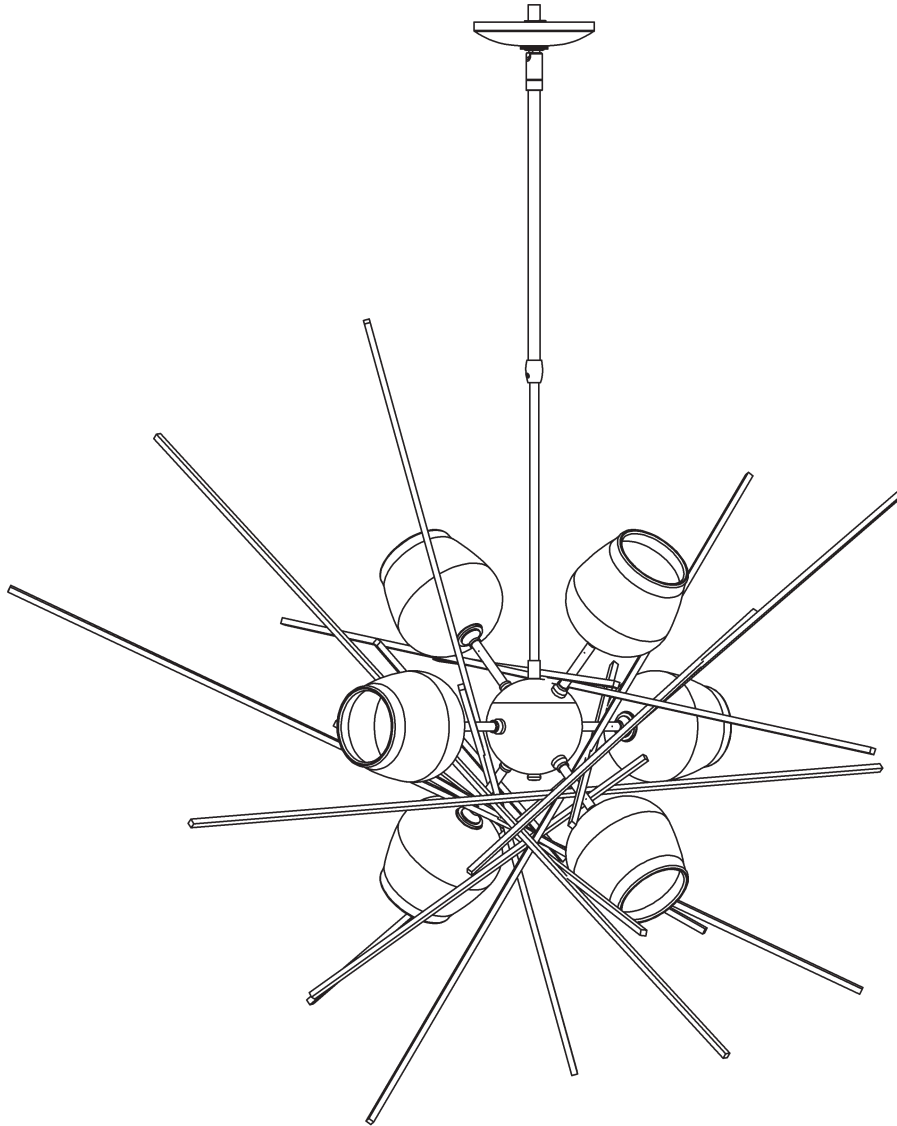


ASSEMBLY & INSTALLATION INSTRUCTIONS

A681

Griffin Starburst Pendant, 131590



Component Parts

- A Fixture**
- B Fixture Pipe**
- C Crossbar**
- D Jam Nut**
- E Threaded Nipple**
- F Ground Screw**
- G Canopy Ring**
- H Canopy**
- I Canopy Pipe**
- J Clutch**
- K Plastic Sleeve**
- L Set Screw**
- M Socket**
- N Bulb (not included)**
- O Retainer (6)**
- P Glass (6)**



ASSEMBLY & INSTALLATION INSTRUCTIONS

A681

Griffin Starburst Pendant, 131590

CAUTION: FAILURE TO INSTALL THIS FIXTURE PROPERLY MAY RESULT IN SERIOUS PERSONAL INJURY OR DEATH AND PROPERTY DAMAGE. We recommend installation by a licensed electrician. This product must be installed in accordance with applicable installation code(s), by a person familiar with the construction and operation of the product and the hazards involved.*

Caution: Do not exceed maximum wattage noted on fixture. Use only recommended bulbs with fixture.

Please Note: After installation extra hardware and accessories are possible due to our kits are used on multiple products and options.

To Install Fixture (Figure 1)

CAUTION: BE SURE POWER IS OFF AT THE MAIN BREAKER BOX PRIOR TO INSTALLATION.

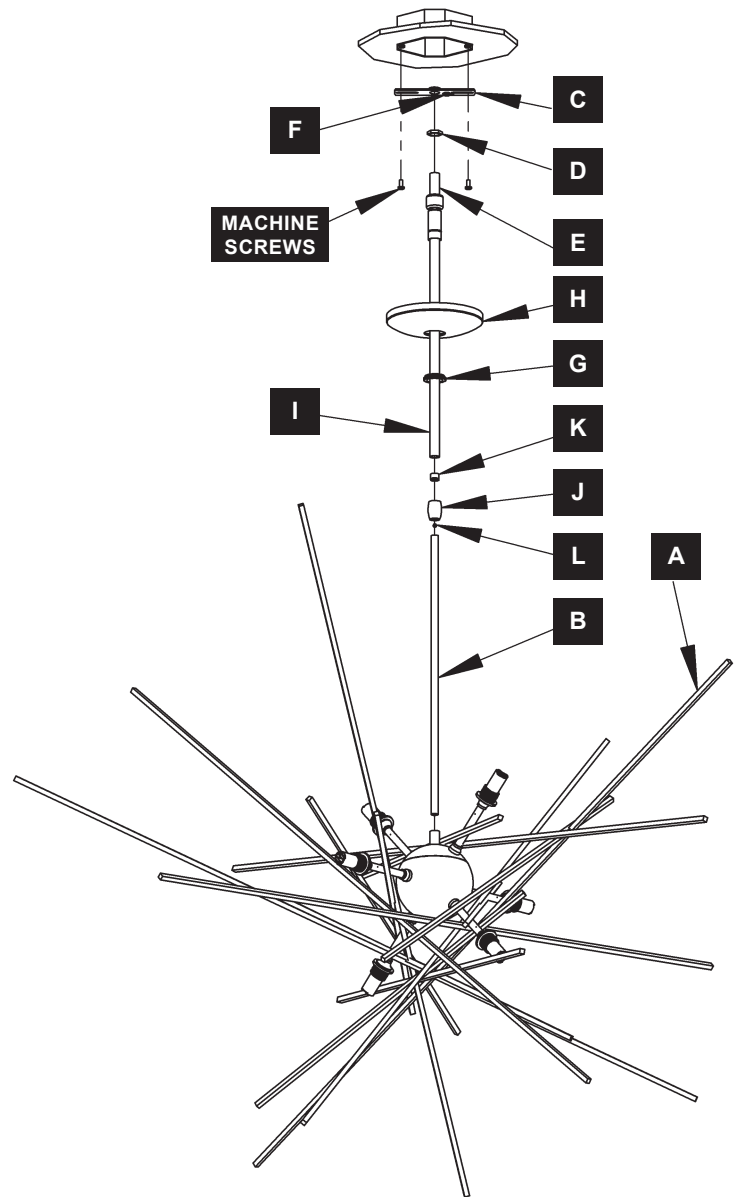
1. Carefully unpack fixture from the carton.
2. Carefully thread fixture pipe (B), threaded end first, over fixture wires.
3. Apply a drop of the supplied thread locking compound to the threads of fixture pipe (B) and screw into fixture (A), being careful not to twist the wires.

NOTE: APPLICATION OF THE THREAD LOCKING COMPOUND IS NECESSARY TO PREVENT THE PIPE FROM LOOSENING DURING REGULAR MAINTENANCE AND CLEANING OF THE FIXTURE. BE CERTAIN TO APPLY THE COMPOUND.

4. Thread jam nut (D) and crossbar (C) onto threaded nipple (E) with ground screw (F) facing towards canopy pipe (I); leave both parts loose.
5. Using two machine screws (not provided), temporarily fasten the crossbar (C) to the electric box.

NOTE: A NEW ELECTRIC BOX COMES WITH SCREWS. WHEN REPLACING A FIXTURE, RETAIN THE EXISTING SCREWS FOR USE WITH THE NEW FIXTURE.

6. Adjust the length of threaded nipple (E) in crossbar (C) so that canopy ring (G) will hold canopy (H) against the ceiling with no threads showing for best appearance. When the correct adjustment is established, tighten jam nut (D) against crossbar (C) to hold the adjustment.
7. Remove crossbar (C) and canopy pipe (I) from the electrical box and proceed with the assembly instructions.



(Figure 1)

Griffin Starburst Pendant, 131590

To Install Fixture (Figure 2) continued

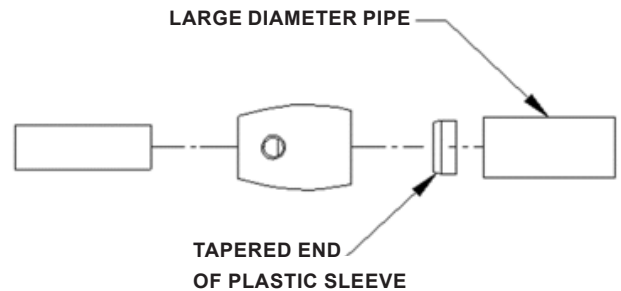
8. Carefully slide canopy ring (G) and canopy (H) over wires and fixture pipe (B) until they rest on fixture (A).
9. Thread wires from the fixture pipe (B) through canopy pipe (I).
10. Unscrew clutch (J) from canopy pipe (I); slide it across the wires and onto fixture pipe (B). It may be necessary to loosen set screw (L) in clutch (J). Follow this with plastic sleeve (K), oriented so the tapered end of the plastic sleeve nests in the clutch. (Figure 2).
11. Slide canopy pipe (I) over fixture pipe (B) as far as necessary to give you the total length of the fixture which you desire. Be careful not to scratch the pipe surface and to pull excess wire up through the canopy pipe (I). There must be a minimum 1-1/2" of inner pipe inside the outer pipe. (Figure 1).
12. Tighten set screw (L) in clutch (J) firmly with hex wrench provided. (Figure 1).
13. Using two machine screws (not provided), fasten crossbar (C) to the electric box.
14. Using suitable wire connectors (not provided) connect fixture wires to supply (white to white and black to black). Attach a pigtail lead to the crossbar ground screw (F). Hold canopy (H) close, connect all ground wires (bare copper or green to bare copper or green).

CAUTION: MAKE SURE WIRE CONNECTORS ARE TWISTED ON SECURELY, AND NO BARE WIRE IS EXPOSED.

15. Slide canopy (H) against ceiling, and secure with canopy ring (G).

CAUTION: BE SURE NO WIRES ARE PINCHED BETWEEN CANOPY (H) AND THE CEILING.

16. Follow instructions on next page to complete installation.



(Figure 2)

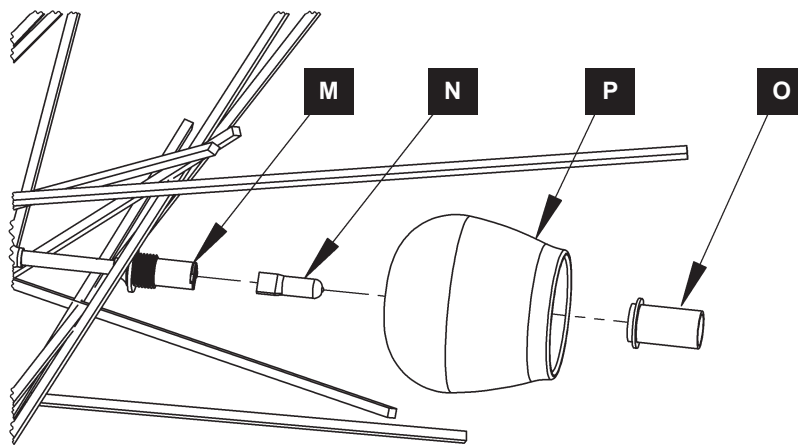
Griffin Starburst Pendant, 131590

To Complete Installation (Figure 3)

1. Remove retainer (O) from socket; retainers are shipped installed on fixture (A).
2. Install bulb (N) into socket (M).
3. Carefully unpack glass (P). Place glass (P) over socket (M) and secure with retainer (O).

NOTE: BE CAREFUL NOT TO CROSS THREAD OR OVERTIGHTEN AND BREAK GLASS.

4. Repeat for remaining glass (P) and sockets (M).
5. Restore electricity at the main breaker



(Figure 3)

If you need further assistance, or find that you are missing any parts, please contact the dealer from which you purchased this product. We hope you enjoy your fixture!

**Hubbardton Forge will not be liable for injury or damage caused by improper installation, lamping or use of this fixture.*



HUBBARDTON FORGE.

MODERN AMERICAN BLACKSMITHS | FINE, HAND CRAFTED LIGHTING
CASTLETON, VERMONT USA | HUBBARDTONFORGE.COM