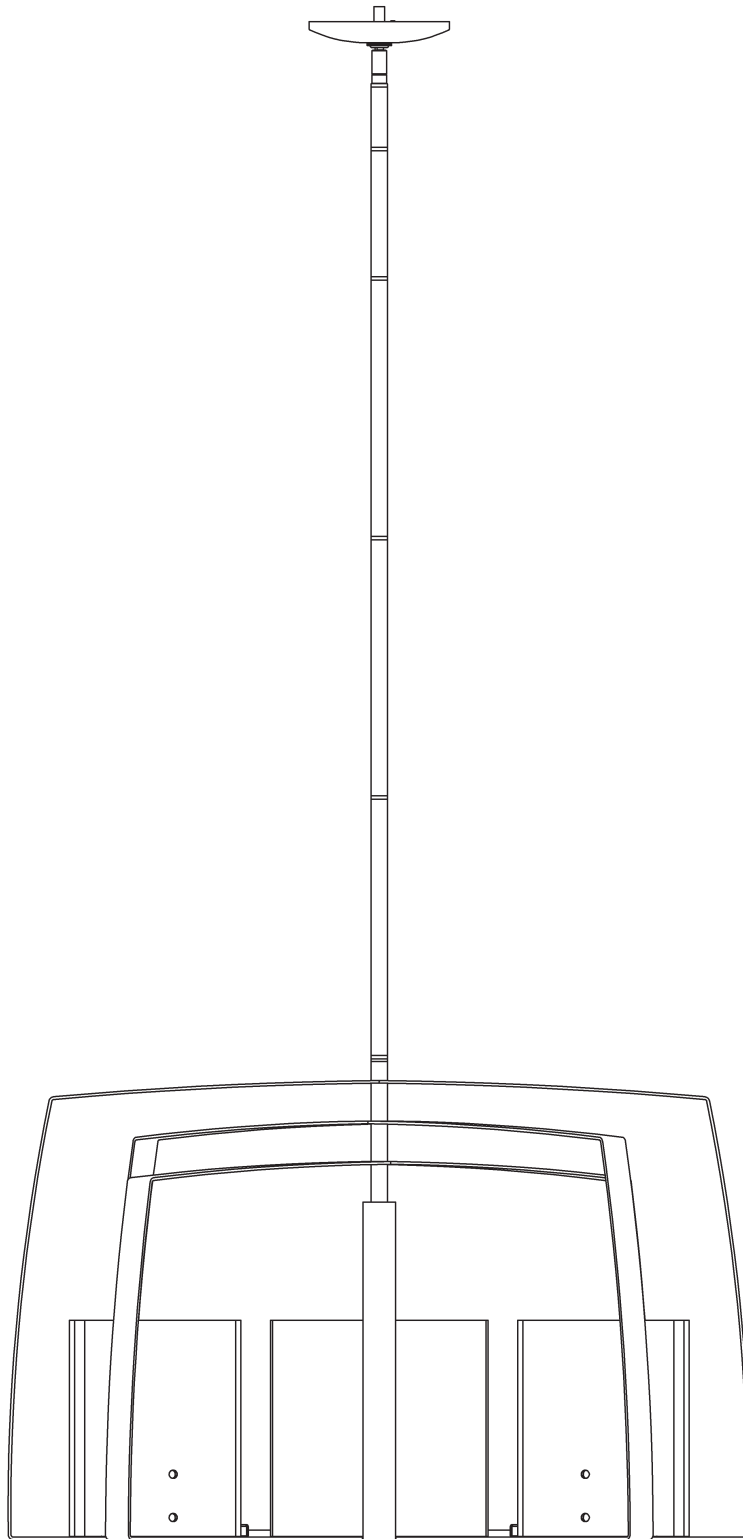


ASSEMBLY & INSTALLATION INSTRUCTIONS

A852

Arc Pendant 8 Light 131312



HUBBARDTON FORGE.

MODERN AMERICAN BLACKSMITHS | FINE, HAND CRAFTED LIGHTING
CASTLETON, VERMONT USA | HUBBARDTONFORGE.COM

50462 REV A

1 OF 5

Component Parts

- A Fixture**
- B Crossbar**
- C Jam Nut**
- D Threaded Nipple**
- E Ground Screw**
- F Canopy Ring**
- G Canopy**
- H Swivel**
- I 3" Fixture Pipe (1)**
- J 6" Fixture Pipe (1)**
- K 12" Fixture Pipe (3)**
- L Stem Couplings (4)**
- M Lag Screw (2)**
- N Socket (8)**
- O Bulb (not included)**
- P Glass Bracket (8)**
- Q Knurled Ball (36)**
- R Rubber Washer (32)**
- S Glass (8)**
- T Thumb Screw (16)**
- U Support Cable**
- V Cable Gripper**
- W Flat Head Screw**



ASSEMBLY & INSTALLATION INSTRUCTIONS

A852

Arc Pendant 8 Light 131312

CAUTION: FAILURE TO INSTALL THIS FIXTURE PROPERLY MAY RESULT IN SERIOUS PERSONAL INJURY OR DEATH AND PROPERTY DAMAGE. We recommend installation by a licensed electrician. This product must be installed in accordance with applicable installation code(s), by a person familiar with the construction and operation of the product and the hazards involved.*

Caution: Do not exceed maximum wattage noted on fixture. Use only recommended bulbs with fixture.

Please Note: After installation extra hardware and accessories are possible due to our kits are used on multiple products and options.

To Install Fixture (Figure 1 & 2) on following page

CAUTION: BE SURE POWER IS OFF AT THE MAIN BREAKER BOX PRIOR TO INSTALLATION.

1. Carefully unpack fixture (A) from the carton.
2. Thread jam nut (C) and crossbar (B) onto threaded nipple (D) with ground screw (E) facing towards swivel (H); leave both parts loose.
3. Using two machine screws (not provided), temporarily fasten crossbar (B) to the electric box.

NOTE: A NEW ELECTRIC BOX COMES WITH SCREWS. WHEN REPLACING A FIXTURE, RETAIN THE EXISTING SCREWS FOR USE WITH THE NEW FIXTURE.

4. Adjust the length of threaded nipple (D) in crossbar (B) so that canopy ring (F) will hold canopy (G) against the ceiling with no threads showing for best appearance. When the correct adjustment is established, tighten jam nut (C) against crossbar (B) to secure the adjustment.
5. Remove crossbar (B) from the electrical box and proceed with the assembly instructions.
6. Locate fixture pipes (I, J, K), fixture (A), stem nipples (L) . Stem nipples (L) can be found in the kit bag.
7. Provided are multiple fixture pipes in three different lengths. Choose the combination that will achieve the overall height desired. Refer to the table below to determine the pipes required to reach the desired overall height. Once you have determined the components necessary, feed the wires and support cable (U) that exit fixture (A) through the individual components. Wires will slip easier through loose components than through pipes and nipples that are pre-assembled. Once wires are run, apply thread locking compound to all the connection points and assemble the pipes and nipples.

		Overall Height of Fixture														
		28.3	31.3	34.3	37.3	40.3	43.3	46.3	49.3	52.3	55.3	58.3	61.3	64.3	67.3	70.3
# of Pipes Required	3" Pipe (I)	1		1		1		1		1		1		1		1
	6" Pipe (J)		1	1			1	1			1	1			1	1
	12" Pipe (K)				1	1	1	1	2	2	2	2	3	3	3	3

NOTE: APPLICATION OF THE THREAD LOCKING COMPOUND IS NECESSARY TO PREVENT THE PIPE FROM LOOSENING DURING REGULAR MAINTENANCE AND CLEANING OF THE FIXTURE. BE CERTAIN TO APPLY THE COMPOUND.

8. Carefully slide canopy ring (G) and canopy (H) over wires, support cable (U) and fixture pipes (J, K, L) until they rest on fixture (A).
9. Slip wires and support cable (U) from the fixture (A) through assembled swivel (I) and threaded nipple (D).
10. Refer to instructions on next page to continue installation.

ASSEMBLY & INSTALLATION INSTRUCTIONS

A852

Arc Pendant 8 Light 131312

- Thread support cable (U) through front tab on crossbar (B) and push into cable gripper (V). (Figure 2) Once cable (U) is thru the gripper (V) attach it to crossbar (B) using flat head screw (W). Pull the cable thru the gripper until cable is tight and has no slack. Once support cable is at the correct height, excess cable behind the gripper can be cut off, leave approximately one inch of cable past the gripper. (Figure 2)
- Using two machine screws (not provided), fasten crossbar (B) to the electric box. (Figure 1)
- Refer to instructions on next page to install glass.
- Using lag screws (M) attach crossbar (B) to a structural member in the ceiling.

Note: Lag screws are supplied with your fixture; however, different materials and/or construction methods may require different fasteners. If in doubt, contact a qualified electrician.

Caution: Do not rely on electric box alone to suspend fixture. Fixture must be attached to a structural member in the ceiling.

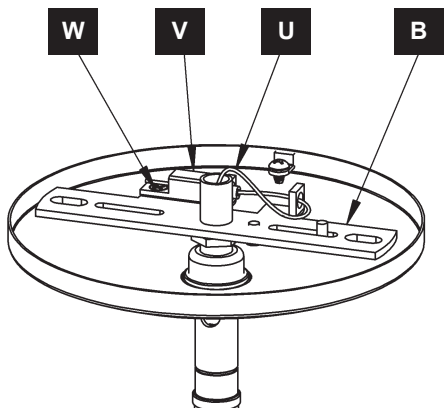
- Using suitable wire connectors (not provided) connect fixture wires to supply (white/ribbed to white and black/smooth to black). Attach a pigtail lead to crossbar ground screw (E). Hold canopy (G) close, connect all ground wires (bare copper or green to bare copper or green).

CAUTION: MAKE SURE WIRE CONNECTORS ARE TWISTED ON SECURELY, AND NO BARE WIRE IS EXPOSED.

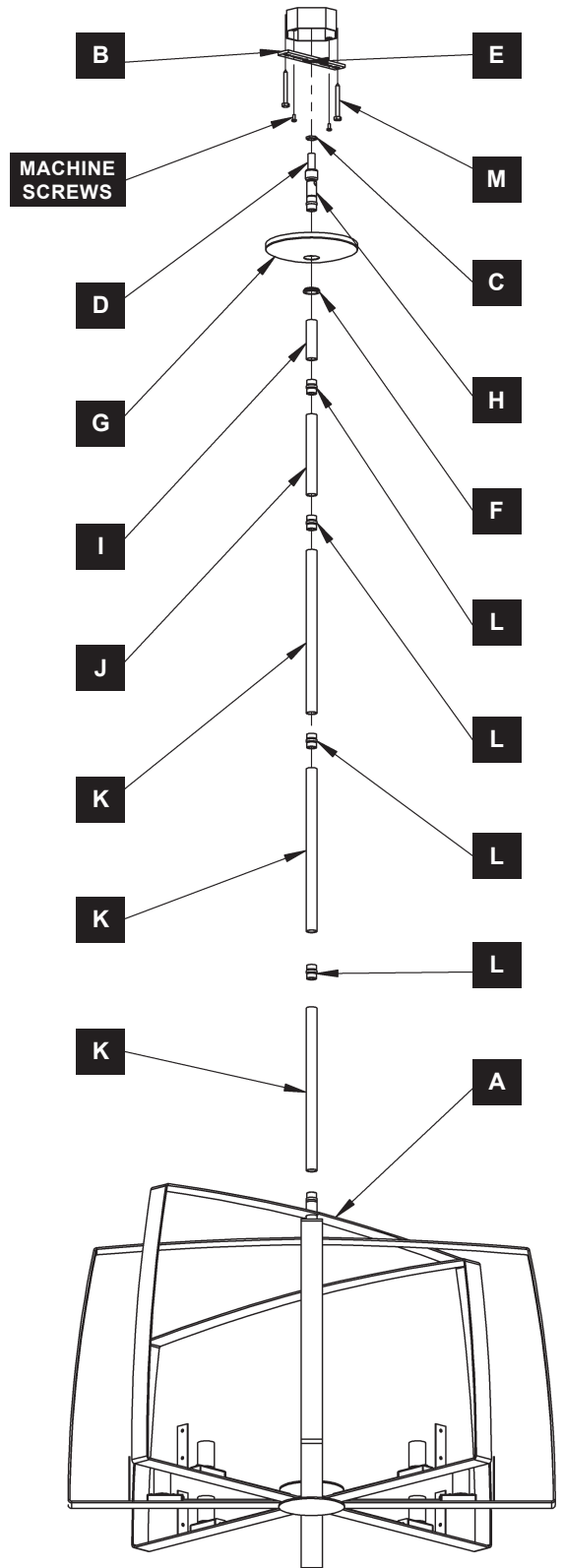
- Slide canopy (G) against ceiling, and secure with canopy ring (F).

CAUTION: BE SURE NO WIRES ARE PINCHED BETWEEN CANOPY (H) AND THE CEILING.

- Refer to instructions on next page to install glass.



(Figure 2)



(Figure 1)



HUBBARDTON FORGE.

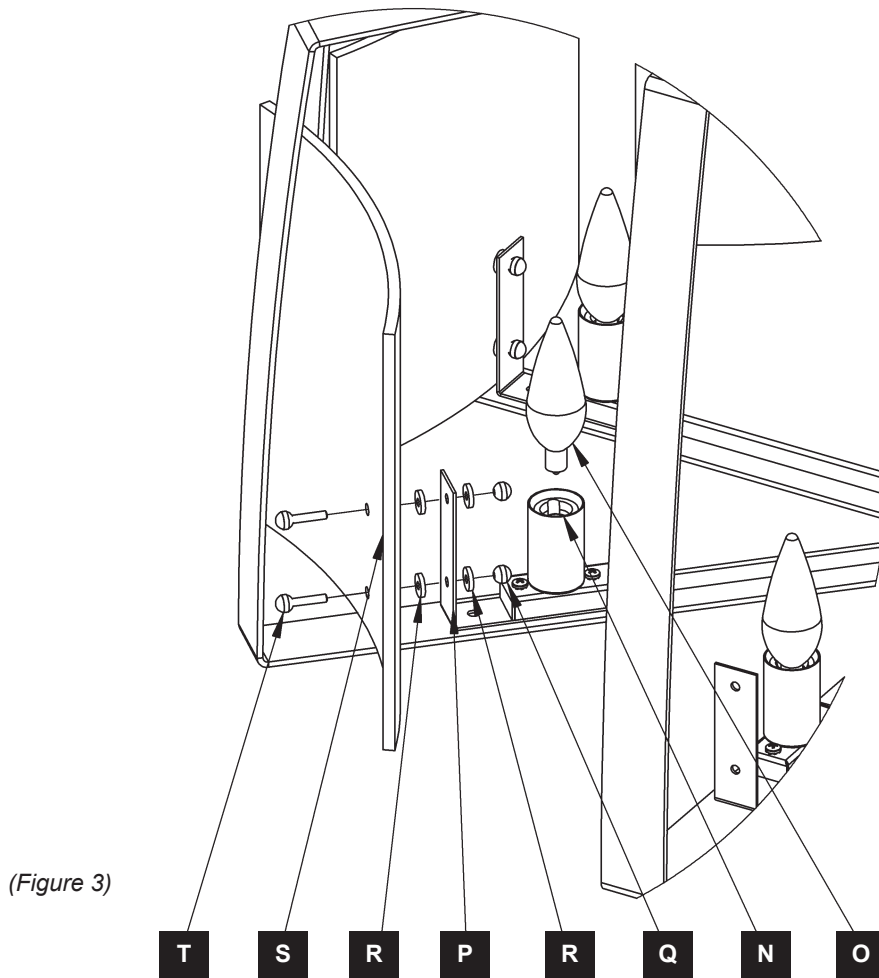
MODERN AMERICAN BLACKSMITHS | FINE, HAND CRAFTED LIGHTING
CASTLETON, VERMONT USA | HUBBARDTONFORGE.COM

50462 REV A

Arc Pendant 8 Light 131312

To Install Glass *(Figure 3)*

1. Install bulbs (O) (not included) into sockets (N).
2. Locate glass (S) and position it near the glass bracket (P). Slide thumb screw (T) through hole in glass, slide on one rubber washer (R) and slide thumb screw (T) through glass bracket (P). Slide on second rubber washer (R) and secure with knurled ball (Q). Repeat for second hole in glass.
3. Repeat for remaining pieces of glass (S).
4. Restore electricity at main breaker.



If you need further assistance, or find that you are missing any parts, please contact the dealer from which you purchased this product. We hope you enjoy your fixture!

** Hubbardton Forge will not be liable for injury or damage caused by improper installation, lamping or use of this fixture.*



HUBBARDTON FORGE.

MODERN AMERICAN BLACKSMITHS | FINE, HAND CRAFTED LIGHTING
 CASTLETON, VERMONT USA | HUBBARDTONFORGE.COM