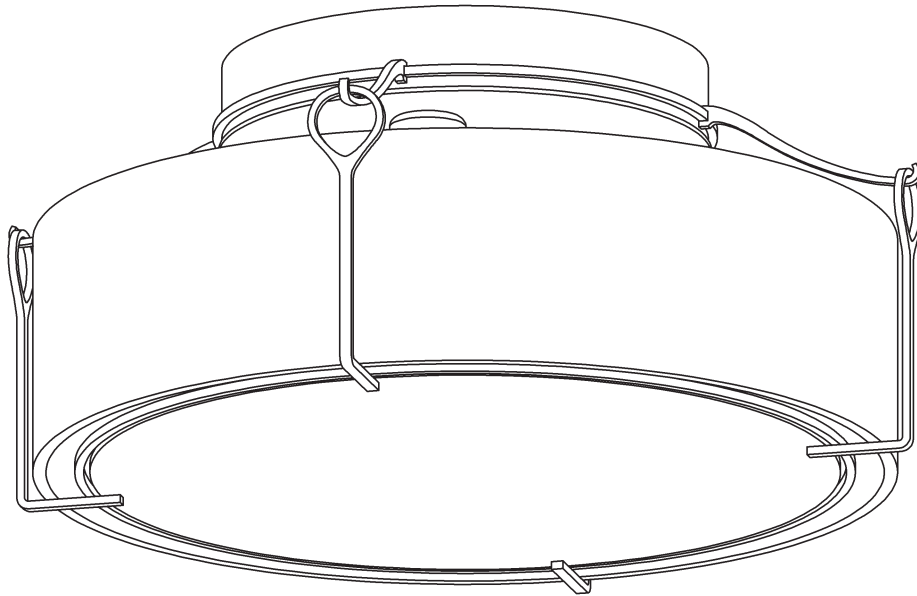


# ASSEMBLY & INSTALLATION INSTRUCTIONS

A619

Bow Semi Flush Large 121145

---



**Component Parts**

<b>A</b>	<b>Fixture</b>
<b>B</b>	<b>Cap</b>
<b>C</b>	<b>Threaded Nipple</b>
<b>D</b>	<b>Lock Nut</b>
<b>E</b>	<b>Crossbar</b>
<b>F</b>	<b>Ground Screw</b>
<b>G</b>	<b>Socket (4)</b>
<b>H</b>	<b>Glass</b>
<b>I</b>	<b>Diffuser</b>
<b>J</b>	<b>Glass Loop (4)</b>
<b>K</b>	<b>Ring</b>
<b>L</b>	<b>Hook (4)</b>



Bow Semi Flush Large 121145

**CAUTION: FAILURE TO INSTALL THIS FIXTURE PROPERLY MAY RESULT IN SERIOUS PERSONAL INJURY OR DEATH AND PROPERTY DAMAGE.** We recommend installation by a licensed electrician. This product must be installed in accordance with applicable installation code(s), by a person familiar with the construction and operation of the product and the hazards involved.\*

**Caution:** Do not exceed maximum wattage noted on fixture. Use only recommended bulbs with fixture.

*Please Note: After installation extra hardware and accessories are possible; our kits are used on multiple products.*

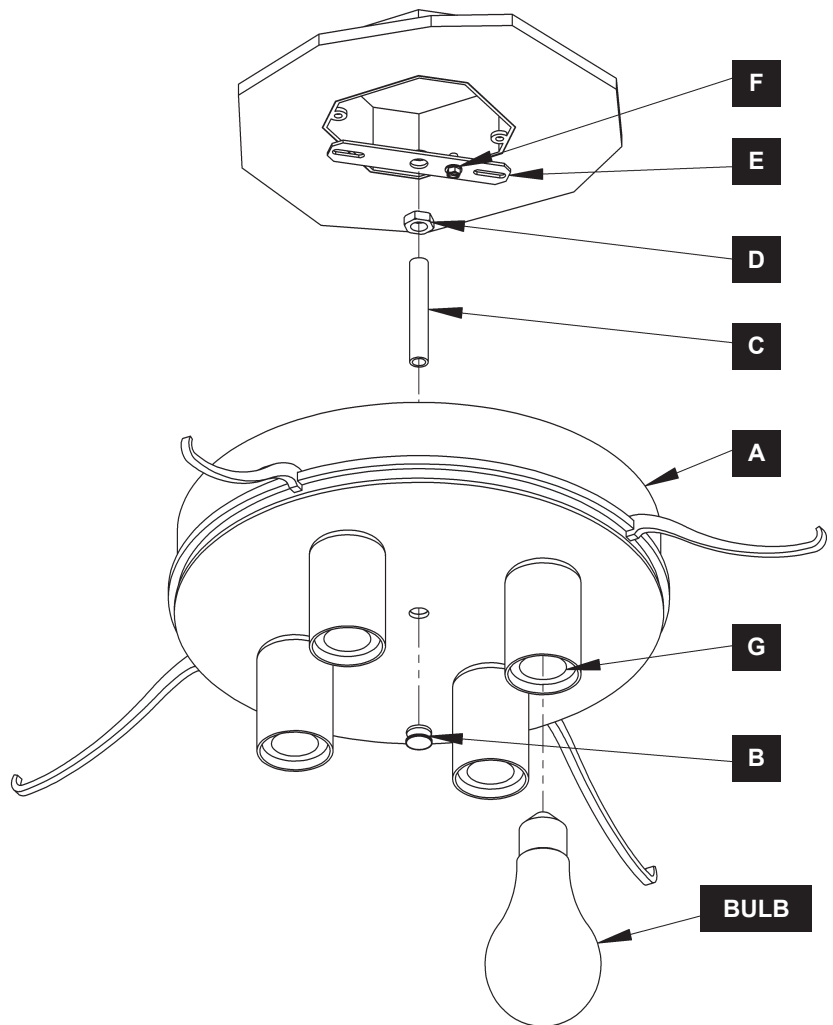
## To Install Fixture (Figure 1)

**CAUTION: BE SURE POWER IS OFF AT THE MAIN BREAKER BOX PRIOR TO INSTALLATION.**

1. Carefully unpack the fixture (A) from the carton.
  2. Using two machine screws (not provided) attach crossbar (E) to the electric box.
- Note:** A new electric box comes with screws. When replacing a fixture, retain the screws for use with the new fixture.
3. Thread the nipple (C) into the crossbar (E). Adjust the nipple to proper length to ensure the fixture will fit snugly to the ceiling and secure with lock nut (D)
  4. Attach a pigtail lead to the ground screw (F) on the crossbar (E).
  5. Using suitable wire connectors (not provided), connect the fixture wires to the supply wires, (white to white, black to black). Connect all ground wires together.

**CAUTION: MAKE SURE WIRE CONNECTORS ARE TWISTED ON SECURELY, AND NO BARE WIRE IS EXPOSED.**

6. Carefully tuck all wires behind the fixture. Place fixture (A) over threaded nipple (C) and tighten firmly to ceiling using cap (B).
7. Install bulb (not provided) into socket (G).
8. Repeat for remaining bulbs and sockets (G).
9. Complete steps on following page to install glass.



(Figure 1)

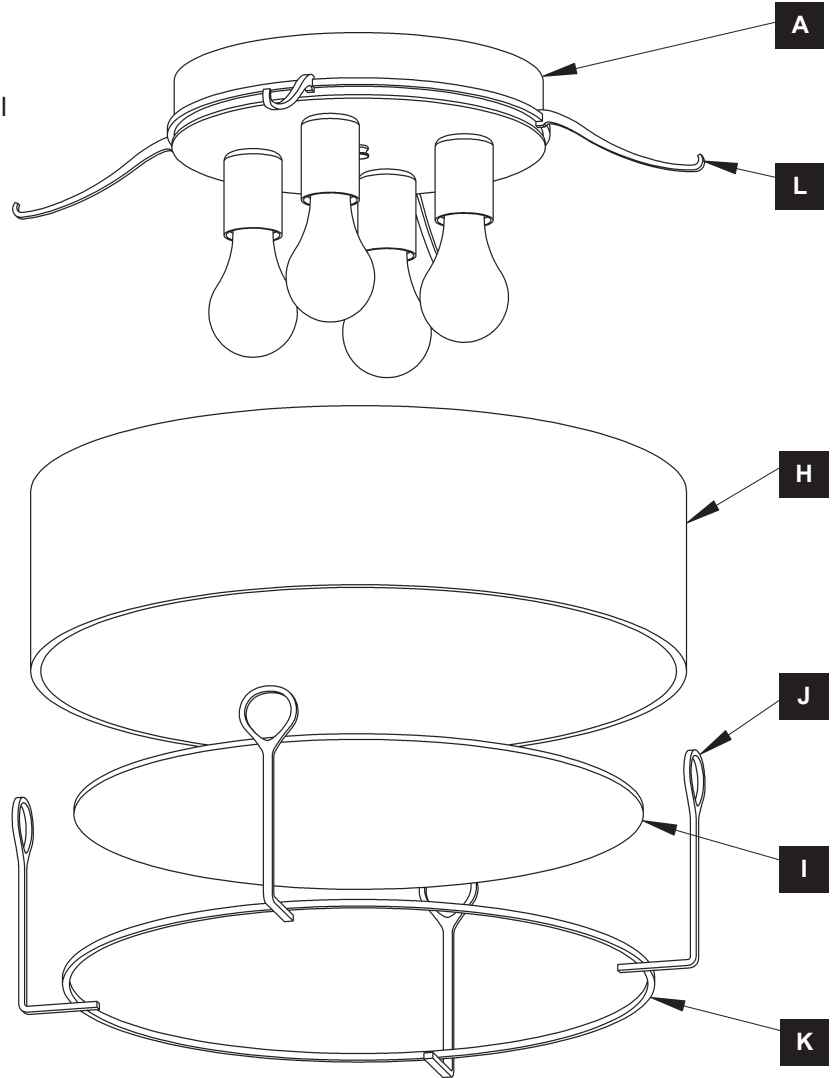
Bow Semi Flush Large 121145

## To Complete Install *(Figure 2)*

1. Locate diffuser (I) and glass (H).
2. Carefully slide diffuser (I) inside glass loops (J) until it rests inside ring (K).
3. Carefully slide glass (H) inside glass loops (J) until it rests around ring (K).
4. Grasp glass/diffuser assembly by loops (J).
5. Raise up to fixture (A) and place glass loops (J) onto hooks (L).

**CAUTION:** BE SURE ALL (4) LOOPS (J) ARE ON HOOKS (L) BEFORE RELEASING. IT MAY BE NECESSARY TO SLIGHTLY FLEX LOOPS OUTWARD.

6. Center glass (H) and diffuser around ring (K).
7. Restore electricity at main breaker.



*(Figure 2)*

If you need further assistance, or find that you are missing any parts, please contact the dealer from which you purchased this product. We hope you enjoy your fixture!

**\* Hubbardton Forge will not be liable for injury or damage caused by improper installation, lamping or use of this fixture.**