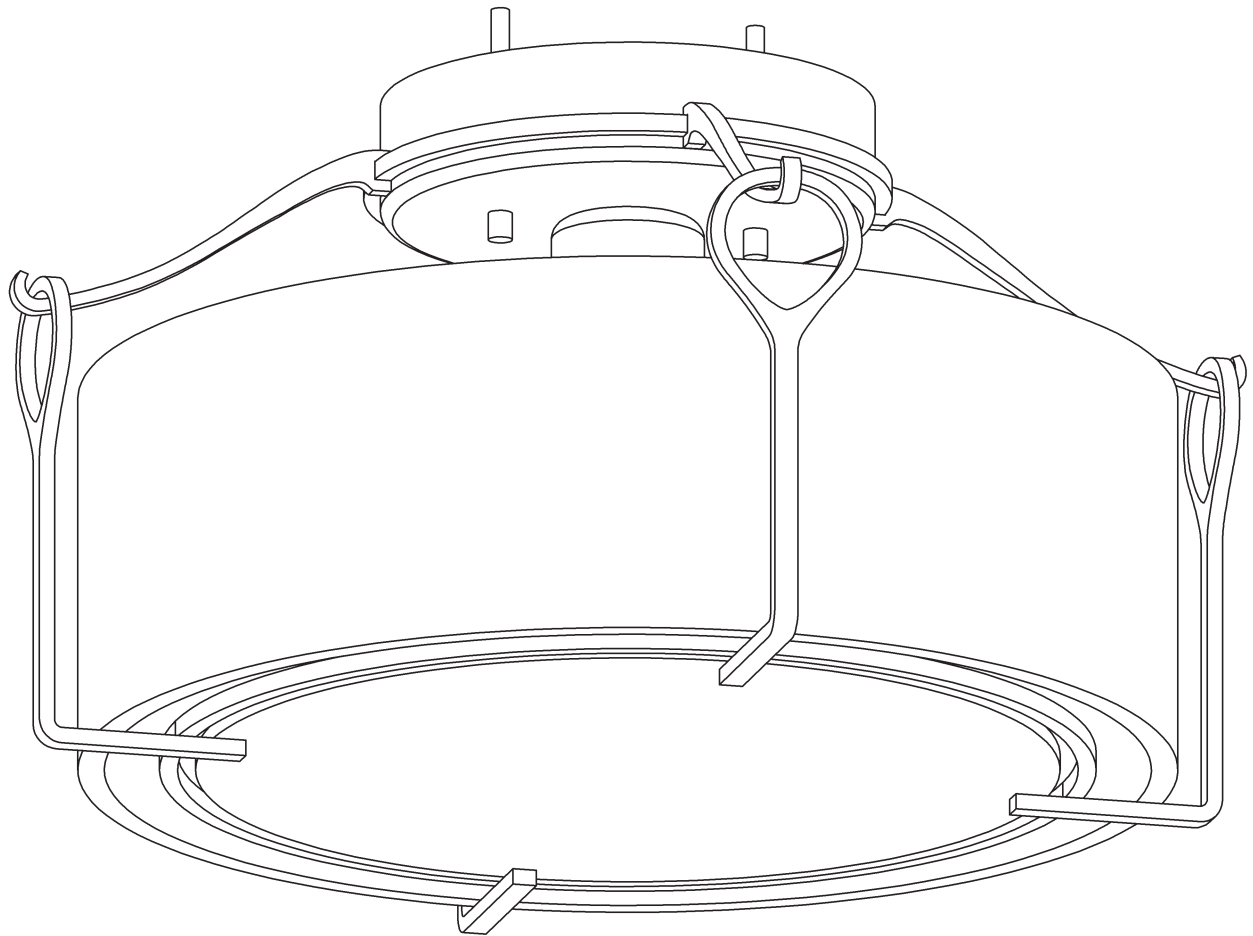


ASSEMBLY & INSTALLATION INSTRUCTIONS

A617

Bow Semi Flush Med 121142



Component Parts

- A. Fixture**
- B. Crossbar**
- C. Ground Screw**
- D. Threaded Stud (2)**
- E. Knob (2)**
- F. Socket**
- G. Glass**
- H. Diffuser**
- I. Glass Loop (4)**
- J. Ring**
- K. Hook (4)**



Bow Semi Flush Med 121142

CAUTION: FAILURE TO INSTALL THIS FIXTURE PROPERLY MAY RESULT IN SERIOUS PERSONAL INJURY OR DEATH AND PROPERTY DAMAGE. We recommend installation by a licensed electrician. This product must be installed in accordance with applicable installation code(s), by a person familiar with the construction and operation of the product and the hazards involved.*

Caution: Do not exceed maximum wattage noted on fixture. Use only recommended bulbs with fixture.

Please Note: After installation extra hardware and accessories are possible; our kits are used on multiple products.

To Install Fixture (Figure 1)

CAUTION: BE SURE POWER IS OFF AT THE MAIN BREAKER BOX PRIOR TO INSTALLATION.

1. Carefully unpack the fixture (A) from the carton.
2. Thread two studs (D) into the appropriate holes in the crossbar (B) that align with fixture (A) and desired orientation.
3. Using two machine screws (not provided) attach crossbar (B) to the electric box using outer oval holes to orient fixture.

Note: A new electric box comes with screws. When replacing a fixture, retain the existing screws for use with the new fixture.

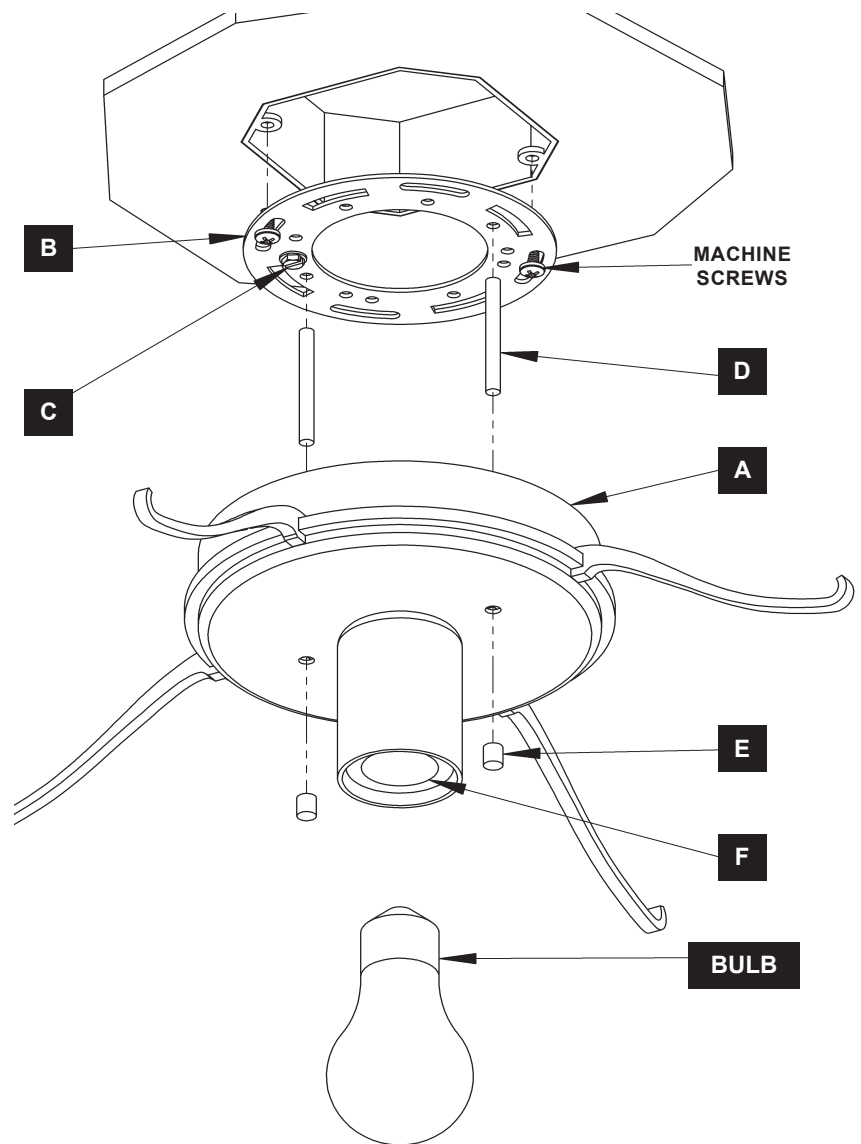
4. Adjust the studs (D) to proper length to ensure the fixture will fit snugly against the ceiling.
5. Using suitable wire connectors (not provided) connect fixture wires to supply (white to white and black to black). Attach a pigtail lead to the crossbar ground screw (C). Connect all ground wires (bare copper or green to bare copper or green).

CAUTION: MAKE SURE WIRE CONNECTORS ARE TWISTED ON SECURELY, AND NO BARE WIRE IS EXPOSED.

6. Carefully tuck all wires behind fixture, push fixture firmly against the ceiling and fasten by threading knobs (E) onto studs (D).

Note: Be sure no wires are pinched between the ceiling and the fixture. Be sure threaded studs are fully seated in knobs.

7. Install bulb (not provided) into socket (F).
8. See instructions on next page for installing glass.



(Figure 1)

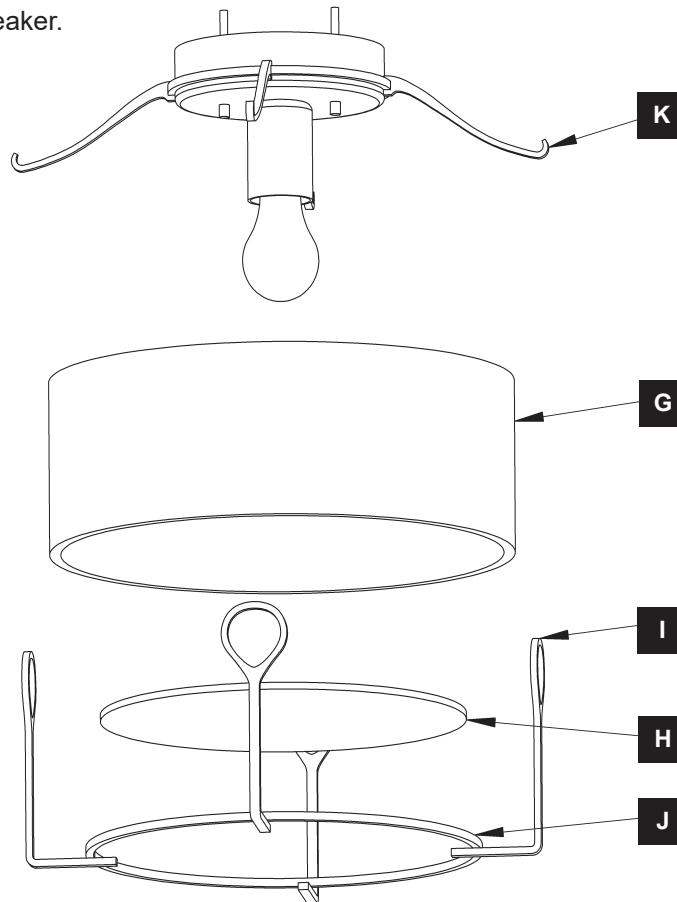
Bow Semi Flush Med 121142

To Complete Install (Figure 2)

1. Locate diffuser (H) and glass (G).
2. Carefully slide diffuser (H) inside glass loops (I) until it rests inside ring (J).
3. Carefully slide glass (G) inside glass loops (I) until it rests around ring (J).
4. Grasp glass/diffuser assembly by loops (I).
5. Raise up to fixture and place glass loops (I) onto hooks (K).

CAUTION: BE SURE ALL (4) LOOPS (I) ARE ON HOOKS (K) BEFORE RELEASING. IT MAY BE NECESSARY TO SLIGHTLY FLEX LOOPS OUTWARD.

6. Center glass (G) and diffuser around ring (J).
7. Restore electricity at main breaker.



(Figure 2)

If you need further assistance, or find that you are missing any parts, please contact the dealer from which you purchased this product. We hope you enjoy your fixture!

*** Hubbardton Forge will not be liable for injury or damage caused by improper installation, lamping or use of this fixture.**