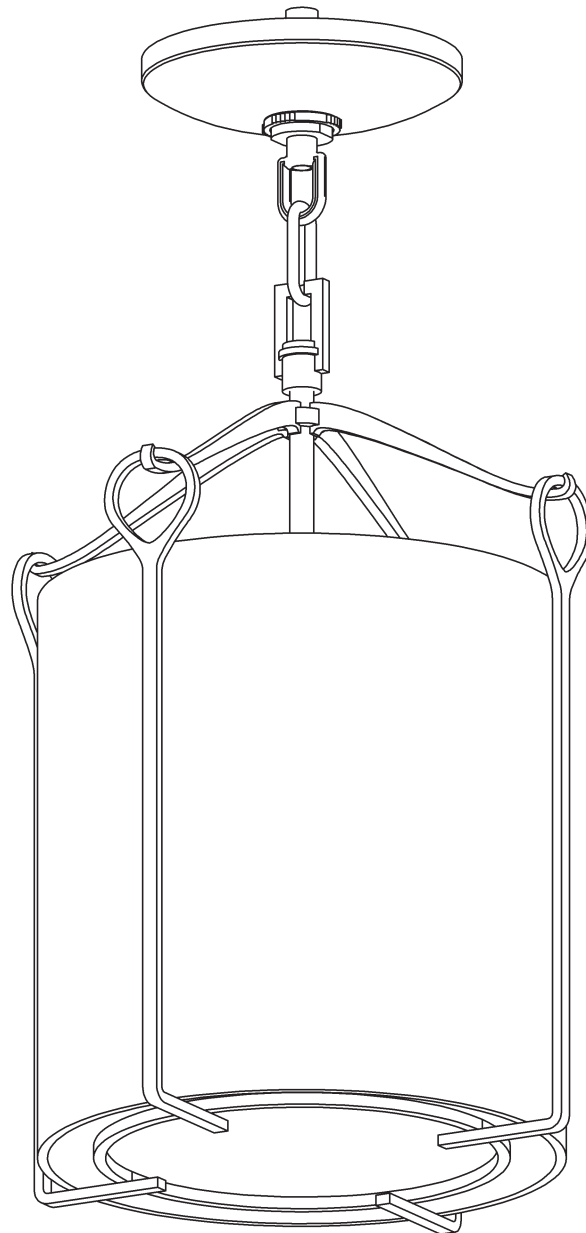


# ASSEMBLY & INSTALLATION INSTRUCTIONS

A624

Bow Semi Small 121140

---



**Component Parts**

- A. Crossbar**
- B. Lock Nut**
- C. Nipple**
- D. Ground Screw**
- E. Canopy**
- F. Canopy Ring**
- G. Canopy Loop**
- H. Chain Link**
- I. Fixture Loop**
- J. Fixture**
- K. Socket**
- L. Glass**
- M. Glass Loop (4)**
- N. Bottom Ring**
- O. Hook (4)**



# ASSEMBLY & INSTALLATION INSTRUCTIONS

A624

Bow Semi Small 121140

**CAUTION: FAILURE TO INSTALL THIS FIXTURE PROPERLY MAY RESULT IN SERIOUS PERSONAL INJURY OR DEATH AND PROPERTY DAMAGE.** We recommend installation by a licensed electrician. This product must be installed in accordance with applicable installation code(s), by a person familiar with the construction and operation of the product and the hazards involved.\*

**Caution:** Do not exceed maximum wattage noted on fixture. Use only recommended bulbs with fixture.

Please Note: After installation extra hardware and accessories are possible; our kits are used on multiple products.

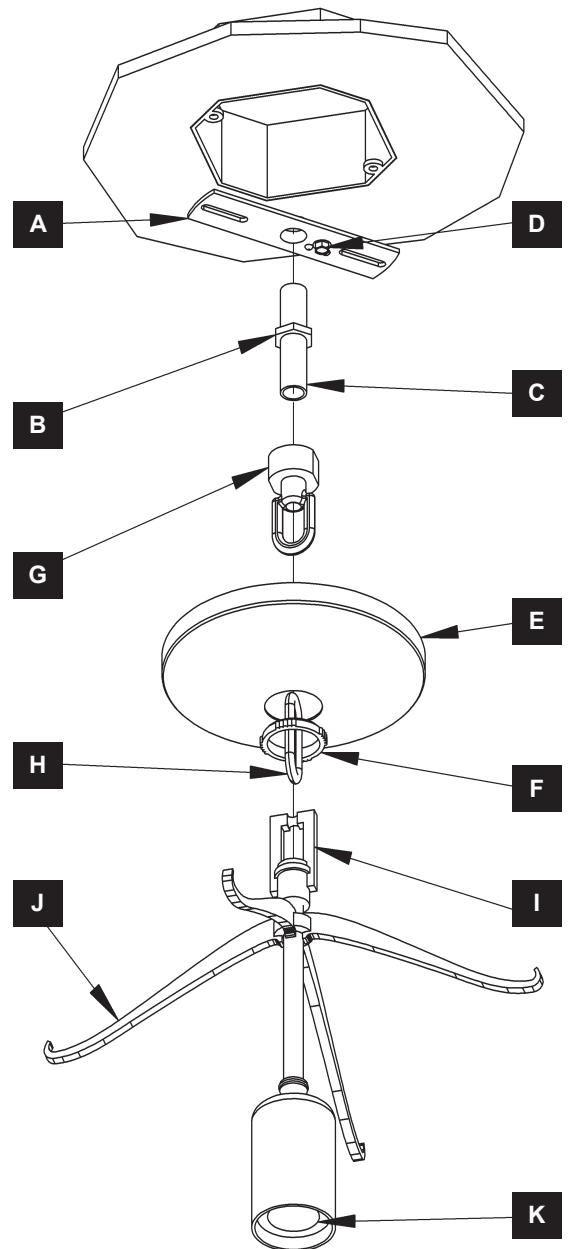
## To Install Fixture (Figure 1)

**CAUTION: BE SURE POWER IS OFF AT THE MAIN BREAKER BOX PRIOR TO INSTALLATION.**

1. Carefully unpack fixture from the carton.
2. Using two machine screws (not provided), fasten the crossbar (A) to the electric box with the head of the ground screw (D) facing down.  
**Note:** A new electric box comes with screws. When replacing a fixture, retain the existing screws for use with the new fixture.
3. Thread nipple (C) into crossbar (A) and then thread lock nut (B) and canopy loop (G) onto threaded nipple, leaving parts loose. Adjust the length of threaded nipple in crossbar so that canopy ring (F), which comes threaded onto canopy loop, will hold canopy (E) against the ceiling with no threads showing for best appearance. When the correct adjustment is established, tighten lock nut against crossbar to hold adjustment.
4. Remove the crossbar (A) assembly from electrical box.
5. Attach one end of chain link (H) to the fixture loop (I). Slip wires and chain link through canopy ring (F) and canopy (E). Allow canopy ring and canopy to rest on fixture loop. Fasten the chain link to the canopy loop (G) and close link using a chain spreader (not provided).
6. Slip wires through the canopy loop (G) and nipple (C). Make sure to provide enough slack in the wire to ensure weight of fixture is supported by the chain (H).
7. Using two machine screws (not provided), reattach the crossbar (A) to the electric box.
8. Using suitable wire connectors (not provided) connect fixture wires to supply wires (white to ribbed side of the fixture cord, black to smooth side). Run a pigtail lead from crossbar ground screw (D) to the junction box and connect all ground wires (bare copper or green to bare copper or green).

**CAUTION: MAKE SURE WIRE CONNECTORS ARE TWISTED ON SECURELY AND NO BARE WIRE IS EXPOSED.**

9. Raise canopy (E) to the ceiling and secure loop collar (F) to canopy loop (G).
10. Install bulb (not provided) into socket (K).



(Figure 1)

# ASSEMBLY & INSTALLATION INSTRUCTIONS

A624

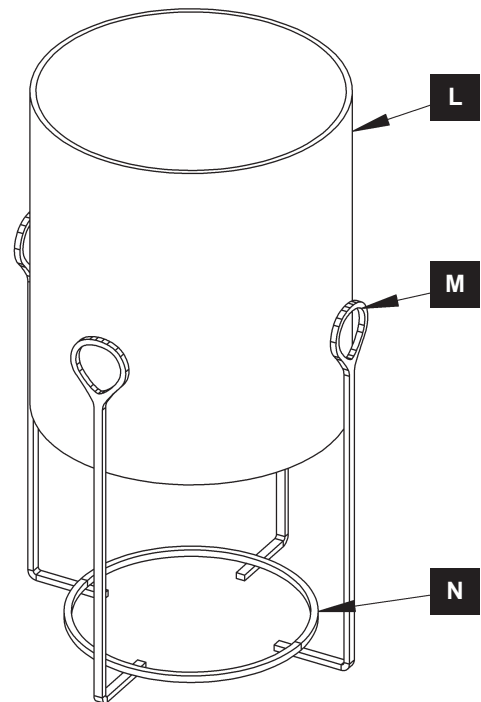
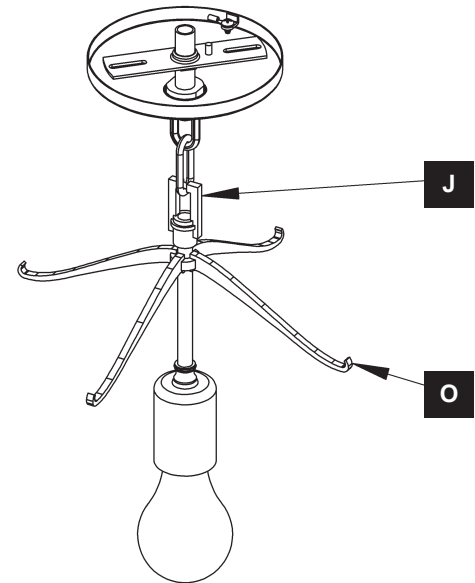
Bow Semi Small 121140

## To Complete Installation (Figure 2)

1. Locate glass (L) and glass loop (M) assembly.
2. Carefully slide glass (L) inside glass loops (M) until it rests around bottom ring (N).
3. Grasp glass/loop assembly by loops (M).
4. Raise up to fixture (J) and place glass loops (M) onto hooks (O).

**CAUTION:** BE SURE ALL (4) GLASS LOOPS (M) ARE ON HOOKS (O) BEFORE RELEASING. IT MAY BE NECESSARY TO SLIGHTLY FLEX LOOPS OUT TO INSTALL.

5. Center glass (L) in glass loops (M) assembly around bottom ring (N).
6. Restore electricity at main breaker.



(Figure 2)

If you need further assistance, or find that you are missing any parts, please contact the dealer from which you purchased this product. We hope you enjoy your fixture!

**\* Hubbardton Forge will not be liable for injury or damage caused by improper installation, lamping or use of this fixture.**