

Assembly & Installation Instructions

For 12-6601 & 12-6601F

A188

Page 1 of 2

CAUTION: FAILURE TO INSTALL THIS FIXTURE PROPERLY MAY RESULT IN SERIOUS PERSONAL INJURY OR DEATH AND PROPERTY DAMAGE. We recommend installation by a licensed electrician.

This product must be installed in accordance with applicable installation code(s), by a person familiar with the construction and operation of the product and the hazards involved.*

Caution: Do not exceed maximum wattage noted on fixture. Use only recommended bulbs with fixture.

To Install Fixture (Figure 1)

Component Parts

- A Ground Screw
- B Cupped Washer
- C Crossbar
- D Fixture
- E Mounting Screws (2)

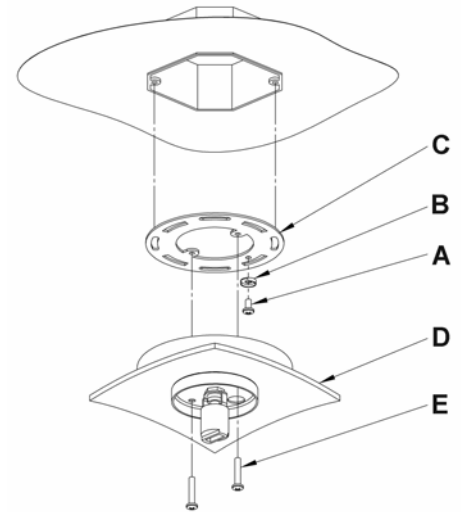
Caution: Be sure power is off at the main breaker box prior to installation

1. Carefully unpack the fixture from the carton.
2. Using two machine screws (not provided) fasten crossbar (C) to the electric box using outer oval holes to orient fixture to desired hanging position.
Note: A new electric box comes with screws. When replacing an existing fixture, retain the screws for use with the new fixture.

3. Using suitable wire connectors (not provided); connect fixture wires to supply wires (white to white and black to black). Connect all ground wires to green ground screw (A) and cupped washer (B).

Caution: Make sure wire connectors are twisted on securely, and no bare wire is exposed.

4. Raise fixture (D) to ceiling aligning holes in crossbar (C) with holes in the fixture (D) making sure that no wires are pinched between fixture and ceiling.
5. Fasten with mounting screws (E).



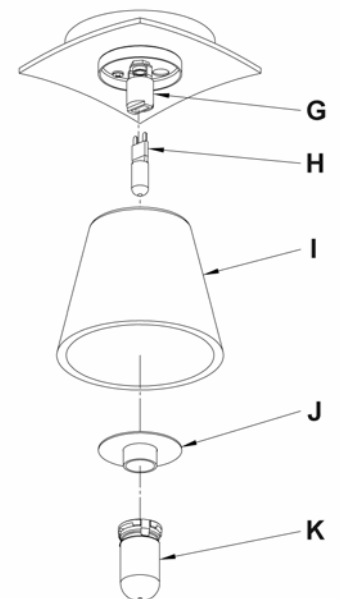
(Figure 1)

To Install Glass with G9 Option (Figure 2)

Component Parts

- G Socket
- H Bulb (Included)
- I Glass
- J Spacer
- K Bulb Shield

1. Install light bulb (H). Be careful not to touch bulb with bare hands; oil from the hands will dramatically reduce bulb life.
2. Slip glass (I) over socket (G) along with spacer (J) (Note orientation of spacer). While holding the glass and spacer thread bulb shield (K) onto socket (G) (be careful not to over tighten). Future bulb changes may be accomplished by snapping glass portion of barrier on and off rather than unthreading the holder.
3. Restore electricity at main breaker.



(Figure 2)

(continued)

Assembly & Installation Instructions

For 12-6601 & 12-6601F

A188

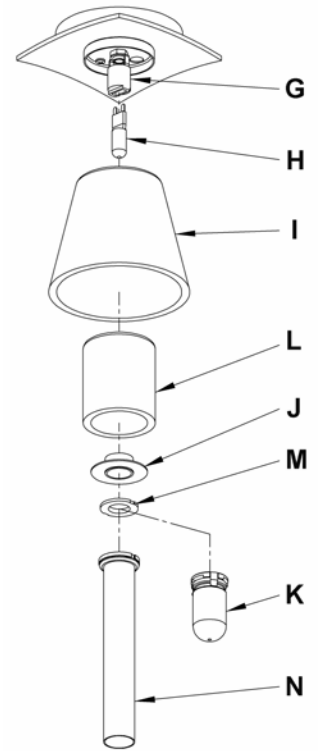
Page 2 of 2

To Install Double Glass with G9 Option (Figure 3)

Component Parts

- G Socket
- H Bulb (Included)
- I Glass
- J Spacer
- K Bulb Shield
- L Inner Glass
- M Retaining Ring
- N Retaining Ring Tool

1. Install light bulb (H). Be careful not to touch bulb with bare hands; oil from the hands will dramatically reduce bulb life.
2. Slip glass (I), inner glass (N) & spacer (J) (*Note orientation of spacer*) over socket (G).
3. Thread retaining ring (M) onto socket (G) using provided retaining ring tool (N).
4. Thread bulb shield (K) onto socket (G) (be careful not to over tighten). Future bulb changes may be accomplished by snapping glass portion of barrier on and off rather than unthreading the holder.
5. Restore electricity at main breaker.



(Figure 3)

To Install Glass with GU24 Option (Figure 4)

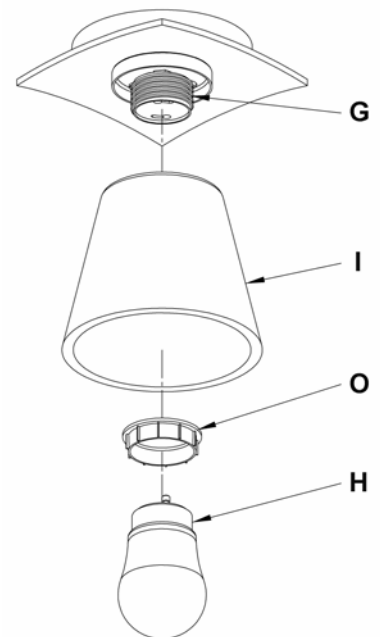
Component Parts

- G Socket
- H Bulb (Included)
- I Glass
- O Retaining Ring

1. Remove retaining ring (M) from socket (G). *Retaining Rings are shipped installed.*
2. Slip glass (I) over socket (G).
3. Thread retaining ring (O) onto socket (G). *Do not over tighten.*
4. Install light bulb (H).
5. Restore electricity at main breaker.

If you need further assistance, or find that you are missing any parts, please contact the dealer from which you purchased this product. We hope you enjoy your fixture!

* Hubbardton Forge will not be liable for injury or damage caused by improper installation, lamping or use of this fixture.



(Figure 4)