

Installation Instructions

Modern Prairie Chain Hung 36-5705 & 36-5710

A319

Page 1 of 2

CAUTION: FAILURE TO INSTALL THIS FIXTURE PROPERLY MAY RESULT IN SERIOUS PERSONAL INJURY OR DEATH AND PROPERTY DAMAGE. We recommend installation by a licensed electrician.

This product must be installed in accordance with applicable installation code(s), by a person familiar with the construction and operation of the product and the hazards involved.*

Caution: Do not exceed maximum wattage noted on fixture. Use only recommended bulbs with fixture.

To Install the Canopy (Figure 1)

Component Parts

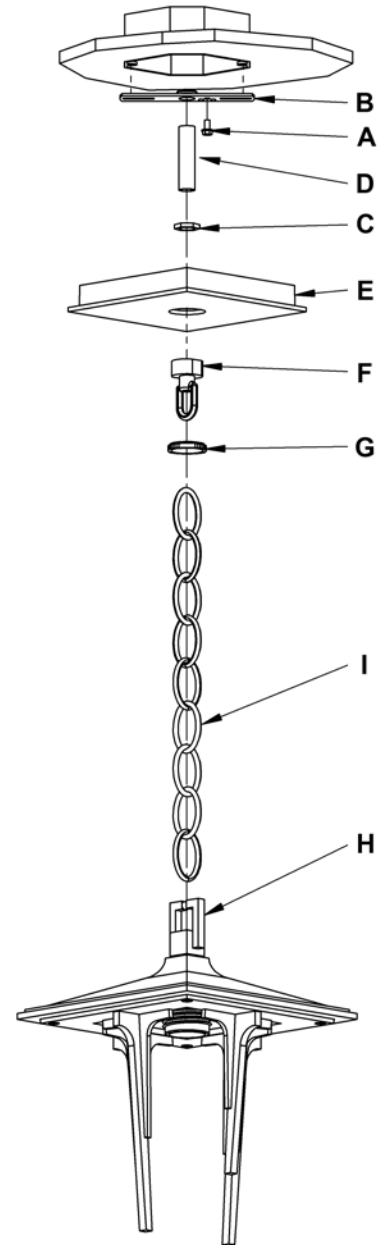
- | | | | |
|---|--------------|---|--------------|
| A | Ground Screw | F | Canopy Loop |
| B | Crossbar | G | Loop Collar |
| C | Lock Nut | H | Fixture Loop |
| D | Nipple | I | Chain |
| E | Canopy | | |

Caution: Be sure power is off at the main breaker box prior to installation

1. Carefully unpack the fixture from the carton.
2. Using two machine screws (not provided), fasten the crossbar (B) to the electric box.
Note: A new electric box comes with screws. When replacing a fixture, retain the existing screws for use with the new fixture.
3. Thread the nipple (D) into the crossbar (B) and secure with lock nut (C). Slide canopy (E) over nipple (D), and attach the canopy loop (F) to the nipple (D). Thread loop collar (G) onto canopy loop (F). Adjust the nipple to proper length to ensure a snug canopy fit before proceeding.
4. Remove loop collar (G) and canopy (E) before proceeding with installation.
5. Attach one end of the chain (I) to the fixture loop (H). Lace the wire through every other link of the chain to the end. Slip wires and chain through the collar and canopy (G & E). Fasten the chain to the canopy loop (F) then slip wires through the loop and nipple, into the electric box. Make sure to provide enough slack in the wire to ensure weight of fixture is supported by the chain.
6. Using suitable wire connectors (not provided) connect fixture wires to supply wires (white to ribbed side of the fixture cord, black to smooth side). Run a pigtail lead from crossbar ground screw (A) to the junction box and connect all ground wires (bare copper or green to bare copper or green).

Caution: Make sure wire connectors are twisted on securely, and no bare wire is exposed

7. Raise canopy (E) to the ceiling and secure loop collar (G) to canopy loop (F).



(Figure 1)

Installation Instructions

Modern Prairie Chain Hung 36-5705 & 36-5710

A319

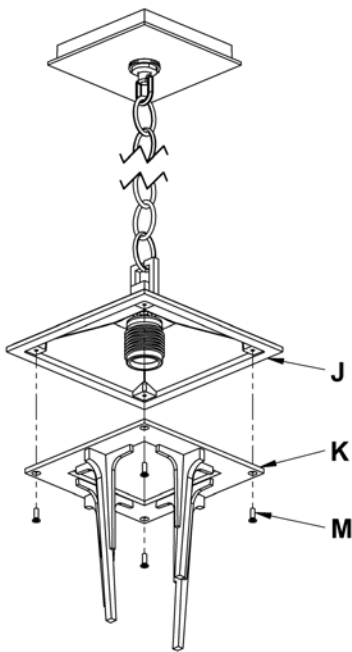
Page 2 of 2

To Install Glass (Figures 2 & 3)

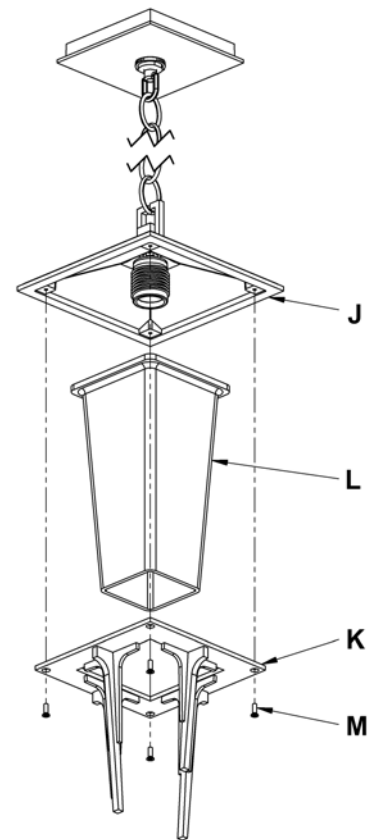
Component Parts

- J Fixture
- K Decorative Assembly
- L Glass
- M #8 Flat Head Screws

1. Remove decorative assembly (K) by removing (4) #8 flat head screws (M). *Decorative assembly ships installed.*
2. Install bulb (*not included*).
3. Slip glass (L) into decorative assembly (K).
4. Attach decorative assembly (K) with glass (L) to fixture assembly (J) using (4) #8 flat head screws (M).
5. Restore electricity at main breaker.



(Figure 2)



(Figure 3)

If you need further assistance, or find that you are missing any parts, please contact the dealer from which you purchased this product. We hope you enjoy your fixture!

* Hubbardton Forge will not be liable for injury or damage caused by improper installation, lamping or use of this fixture.