

# Installation Instructions

Outdoor Sconces 30-5650 & 30-5655

**B275**

Page 1 of 2

**CAUTION: FAILURE TO INSTALL THIS FIXTURE PROPERLY MAY RESULT IN SERIOUS PERSONAL INJURY OR DEATH AND PROPERTY DAMAGE. We recommend installation by a licensed electrician.**

This product must be installed in accordance with applicable installation code(s), by a person familiar with the construction and operation of the product and the hazards involved.\*

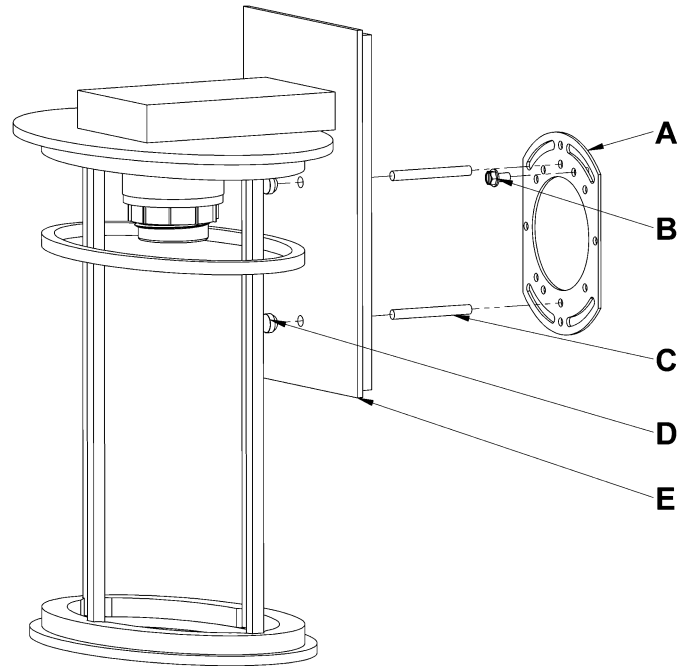
**Caution:** Do not exceed maximum wattage noted on fixture. Use only recommended bulbs with fixture.

**Please Note:** This fixture is designed to be mounted on a standard wall surface and may not be suitable for all applications. If installing in a non-wood frame application, we recommend consulting a qualified builder or electrician.

## To Mount Fixture to Wall (Figures 1 & 2)

### Component Parts

- A Crossbar
- B Ground Screw
- C Threaded Stud (2)
- D Knurled Ball (2)
- E Fixture Assembly
- F Caulking Lip



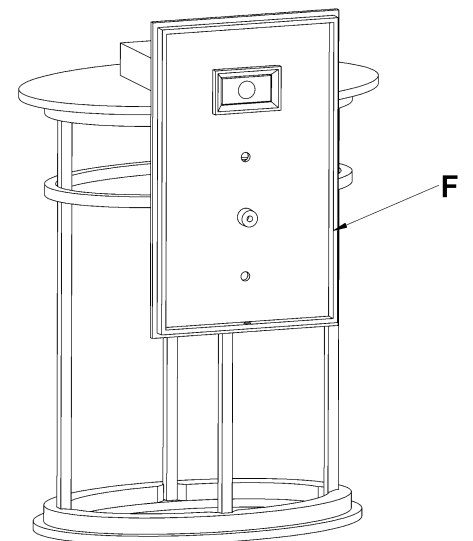
(Figure 1)

**Caution: Be sure power is off at the main breaker box prior to installation.**

1. Carefully unpack the fixture from the carton.
2. Using two machine screws (not provided) attach crossbar (A) to the electric box making sure crossbar is level.

**Note:** A new electric box comes with screws. When replacing a fixture, retain the screws for use with the new fixture.

3. Start threaded studs (C) into appropriate holes in crossbar (A). Adjust the threaded studs (C) to proper length to ensure the fixture (E) will fit snugly to the wall.
4. Run a pigtail lead from crossbar ground screw (B) to the junction box.
5. Hold the fixture assembly (E) close to the wall mount bracket and using suitable wire connectors (not provided), connect fixture wires to supply wires (white to white or ribbed and black to black or smooth). Connect all ground wires (bare copper or green to bare copper or green).
- Caution:** Make sure wire connectors are twisted on securely, and no bare wires are exposed.
6. Apply a generous bead of a suitable caulking material to caulk lip (F) on the fixture (not provided). Caulk should be applied around the entire perimeter of the back plate.
7. Carefully tuck all wires behind the fixture. Place fixture (E) over threaded studs (C) and tighten firmly to mounting surface using barrel knobs (D).



(Figure 2)

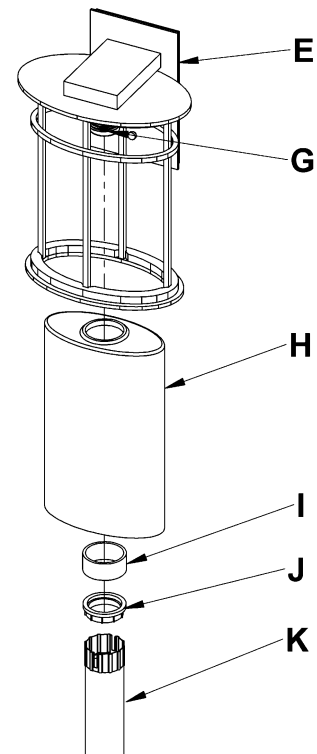
(continued)

## **To Install Glass** (Figure 3)

### Component Parts

- E Fixture Assembly
- G Socket
- H Glass
- I Aluminum Spacer
- J Retaining Ring
- K Retaining Ring Tool

1. Remove retaining ring (J) and spacer (I) from socket (G). *Retaining ring and spacer ships installed.*
2. Slip glass (H) over socket (G).
3. Slide spacer (I) over socket (G) followed by retaining ring (J).
4. Thread retaining ring (J) onto socket (G) using retaining ring tool (K) provided until it is snug against the fixture assembly (E). *Do not over tighten.*
5. Install bulb. *Not Included.*



(Figure 3)

*If you need further assistance, or find that you are missing any parts, please contact the dealer from which you purchased this product. We hope you enjoy your fixture!*

\* Hubbardton Forge will not be liable for injury or damage caused by improper installation, lamping or use of this fixture.