

Assembly & Installation Instructions

A331

Cuff Pendant 18730

Page 1 of 2

CAUTION: FAILURE TO INSTALL THIS FIXTURE PROPERLY MAY RESULT IN SERIOUS PERSONAL INJURY OR DEATH AND PROPERTY DAMAGE. We recommend installation by a licensed electrician.

This product must be installed in accordance with applicable installation code(s), by a person familiar with the construction and operation of the product and the hazards involved.*

Caution: Do not exceed maximum wattage noted on fixture. Use only recommended bulbs with fixture.

Please Note: After installation, extra hardware and accessories are possible; our kits are used on multiple products and options.

To Complete Fixture Assembly (Figures 1 & 2)

Component Parts

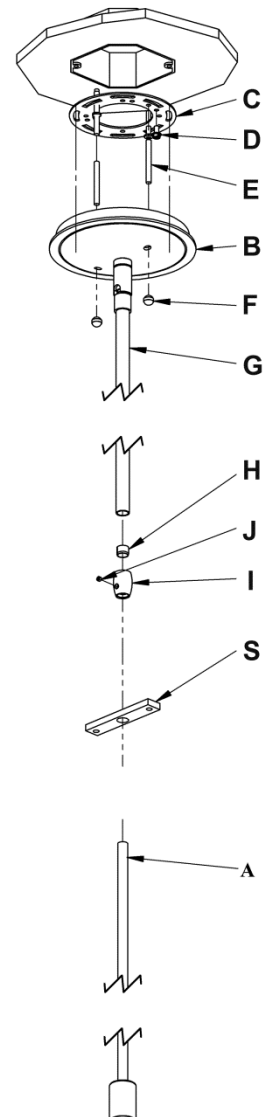
A	Fixture Pipe	G	Canopy Pipe
B	Canopy	H	Plastic Clutch Sleeve
C	Crossbar	I	Clutch
D	Ground Screw	J	Set Screw
E	Threaded Stud (2)	S	Fixture Bar
F	Barrel Knob (2)		

Caution: Be sure power is off at the main breaker box prior to installation.

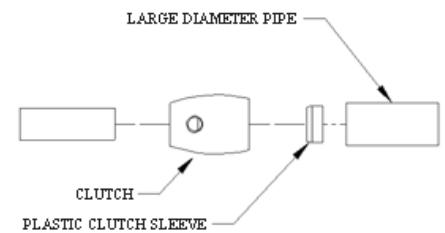
1. Thread the wires from the fixture pipe (A) into and through the fixture bar (S), canopy pipe (G) up through the canopy (B).
2. Unscrew the clutch (I) from the canopy pipe (G); slide it across the wires and onto the fixture pipe (A). Follow this with the plastic clutch sleeve (H), oriented so the tapered end of the clutch sleeve nests in the clutch.
3. Slide the canopy pipe (G) as far as necessary to give you the total length of the fixture which you desire. Be careful not to scratch the pipe surfaces. Pull excess wire up through the canopy pipe (G). Screw clutch (I) onto canopy pipe (G). There must be a minimum 1-1/2" of inner pipe inside the outer pipe. Hand-tighten the clutch to temporarily hold this adjustment. The clutch is not securely fastened at this point; do not depend on it to hold the fixture.
Important: To ensure full connection strength, be sure the tapered end of the plastic clutch sleeve is oriented toward the clutch when assembled and securely tighten set screw (Figure 2).
4. Thread studs (E) through appropriate holes in crossbar (C) to match holes in canopy (B).
5. Using two machine screws (not provided), fasten the crossbar (C) to the electric box.
Note: A new electric box comes with screws. When replacing a fixture, retain the existing screws for use with the new fixture.
6. Using suitable wire connectors (not provided) connect fixture wires to supply (white to white or ribbed and black to black or smooth). Run a pigtail lead from crossbar ground screw (D) to the junction box and connect all ground wires (bare copper or green to bare copper or green)

Caution: Make sure wire connectors are twisted on securely, and no bare wire is exposed.

7. Slide canopy (B) over threaded studs (E) and push firmly to ceiling, making sure that no wires are pinched between fixture canopy and ceiling. Fasten with barrel knobs (F). Be sure studs (E) are fully seated in the barrel knobs (F).
8. Once the fixture is fastened to the ceiling, tighten the set screw (J) in clutch (I) firmly with hex wrench provided. Only after the set screw (J) is tight should you install the glass



(Figure 1)



(Figure 2)

(continued)

Assembly & Installation Instructions

Cuff Pendant 18730

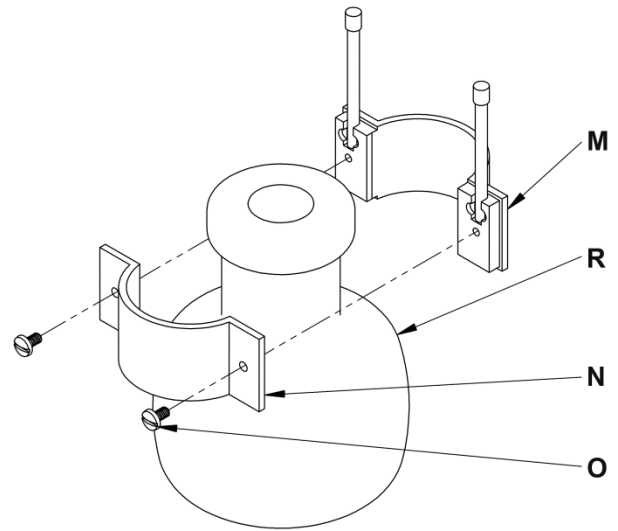
A331

Page 2 of 2

To Install Bulb & Glass (Figures 3 & 4)

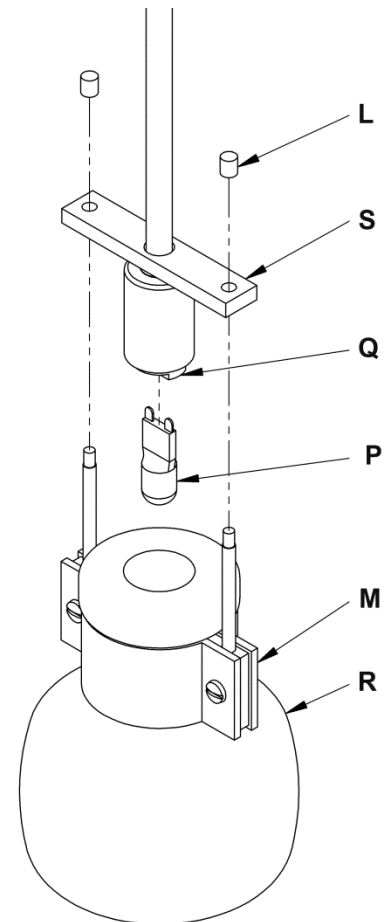
Component Parts

- L Knobs (2)
- M Glass Cage Half w/ Rods
- N Glass Cage Half
- O Screws (2)
- P Bulb (Included)
- Q Socket
- R Glass
- S Fixture Bar



(Figure 3)

1. Remove screws (O) from glass cage assembly (M & N) and separate the two halves. Place glass (R) between cage halves (M & N) and reattach halves using screws (O) (Figure 3).
2. Install bulb (P) into socket (Q) (Figure 4). *Be careful not to touch bulb with bare hands; oil from the hands will dramatically reduce bulb life.*
3. Remove knobs (L) from glass cage half with rods (M) (Figure 4).
4. Raise glass cage assembly (M & N) and glass (R) up and place rods through the holes in the fixture bar (S). Thread the knobs (L) onto the rods (Figure 4).
5. Restore electricity at main breaker.



(Figure 4)

If you need further assistance, or find that you are missing any parts, please contact the dealer from which you purchased this product. We hope you enjoy your fixture

*Hubbardton Forge will not be liable for injury or damage caused by improper installation, lamping or use of this fixture.